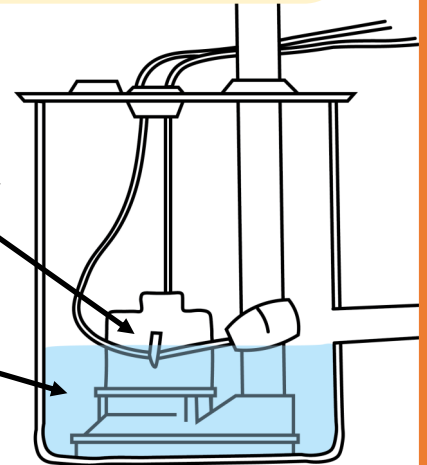


Keep Mosquitoes Out Of Your Sump Pump!

Mosquitoes can lay hundreds of eggs inside your sump pump's reservoir! Sump pumps are designed to pump water from underneath the house, but often hold small amounts of water that can breed mosquitoes.

When water reaches a certain level in the sump pump basin, the float rises, switching on the pump. Small amounts of water in the basin will not trigger the pump and can attract mosquitoes.

The float triggers the pump when the water level gets high enough



Mosquito larvae can live in 1/4" of water!



Large openings create easy access for mosquitoes to access water inside sump pumps. Cover holes with fine mesh screen to keep mosquitoes out.

Prevent larvae from developing inside the basin, and control larvae that have already hatched by treating with a bacterial larvicide containing Bti such as Mosquito Dunks.



San Diego County Vector Control Program
 (858) 694-2888 | Vector@sdcounty.ca.gov
SDFightTheBite.com