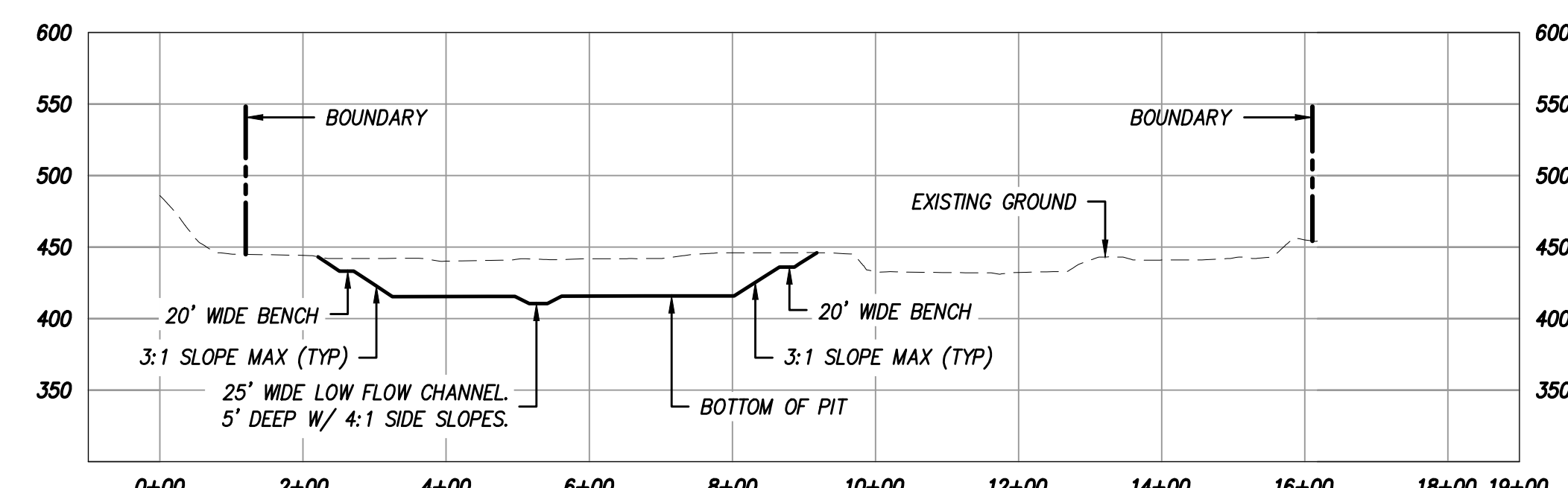
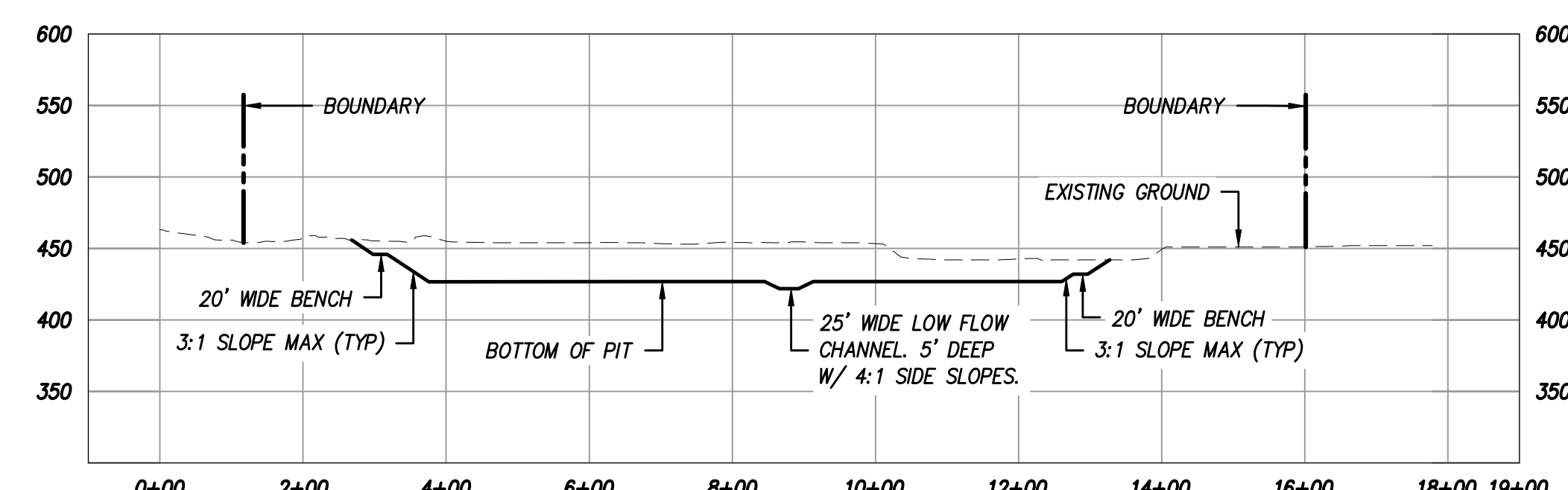


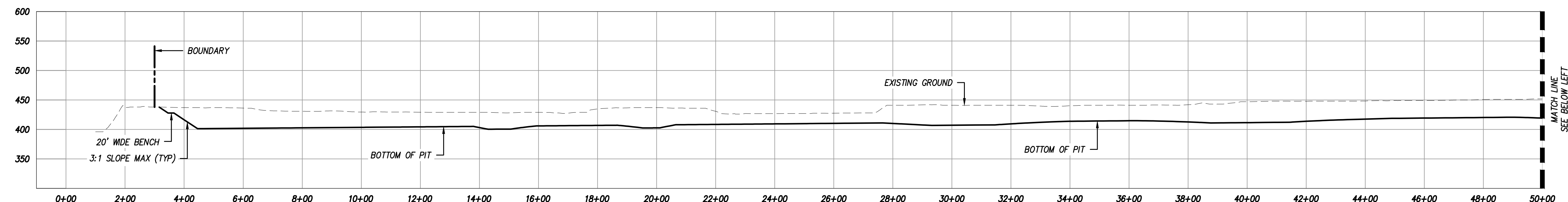
SECTION A-A
SCALE: HORIZ. 1"=200' VERT. 1"=200'



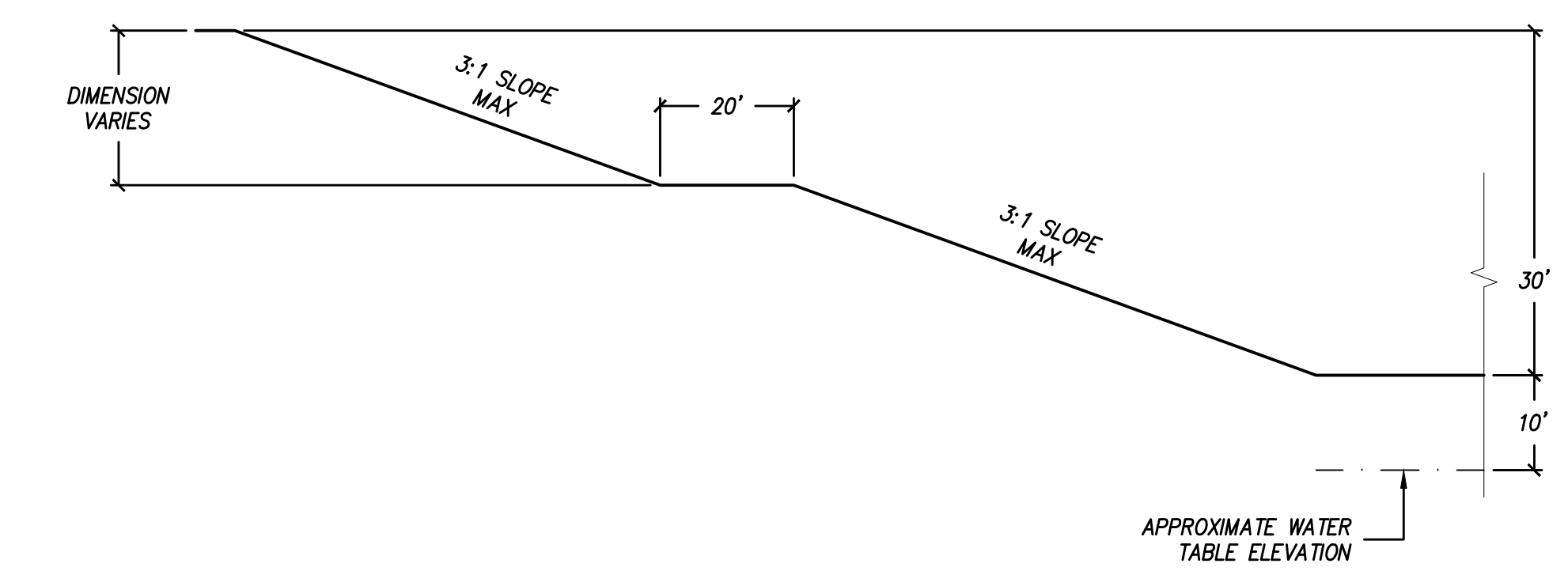
SECTION B-B
SCALE: HORIZ. 1"=200' VERT. 1"=200'



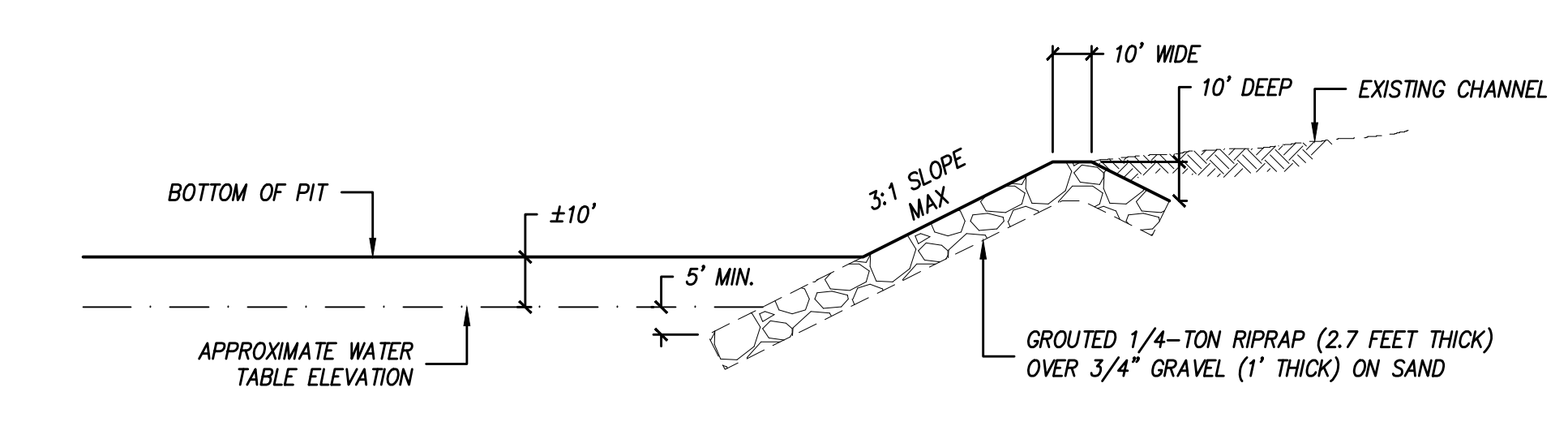
SECTION C-C
SCALE: HORIZ. 1"=200' VERT. 1"=200'



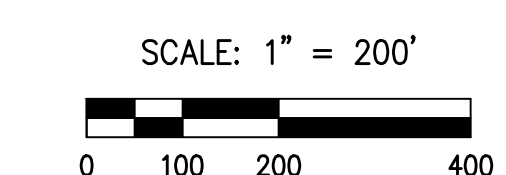
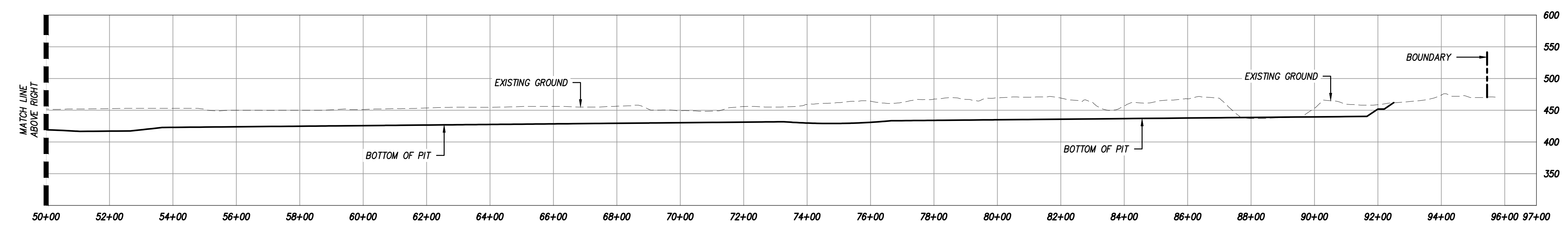
SECTION D-D
SCALE: HORIZ. 1"=200' VERT. 1"=200'



PIT GRADING TYPICAL SECTION
SCALE: 1"=40'



DROP STRUCTURE TYPICAL SECTION
SCALE: 1"=40'



PERMITS HABITAT LOSS PERMIT NO. _____ NOI NO. _____ SPECIFIC PLAN AMENDMENT _____ SPECIAL USE PERMIT NO. _____ GRADING PERMIT NO. _____ TENTATIVE MAP NO. _____		PRIVATE CONTRACT SHEET 4 OF 6 COUNTY OF SAN DIEGO DEPARTMENT OF PUBLIC WORKS									
COUNTY APPROVED CHANGES <table border="1"> <thead> <tr> <th>No.</th> <th>Description</th> <th>Approved by</th> <th>Date</th> </tr> </thead> <tbody> <tr> <td> </td> <td> </td> <td> </td> <td> </td> </tr> </tbody> </table>		No.	Description	Approved by	Date					BENCHMARK DESCRIPTION: COUNTY OF SAN DIEGO BENCHMARK LOCATION: _____ RECORD FROM: _____ ELEVATION: _____ DATUM: NAVD 29	
No.	Description	Approved by	Date								
RECLAMATION PLAN FOR: EL MONTE VALLEY CROSS SECTIONS CALIFORNIA COORDINATE INDEX: 254-1803 Approved: _____ COUNTY ENGINEER DATE: _____ Grading Permit No. _____		ENGINEER: NAME: CHANG CONSULTANTS PHONE NO. (619) 692-0761									

FOR REVIEW ONLY