



**County of San Diego  
Planning & Development Services  
BUILDING DIVISION**

<b>ACCESSIBILITY CORRECTION LIST</b> Public Accommodations & Commercial Buildings	<b>5B</b>
<b>Entrances, Exits, and Interior Routes of Travel</b>	

RECORD ID:	OWNER ON APPLICATION:
------------	-----------------------

**ACCESSIBLE MEANS OF EGRESS**

- All accessible spaces shall be served by at least as many accessible means of egress as required means of egress per CBC 1006.2 and CBC 1006.3.  
**Exception:** Alterations to existing buildings  
**Exception:** One accessible means of egress allowed from accessible mezzanine levels  
**Exception:** In assembly areas with sloped or stepped aisles, one accessible means of egress is allowed where the common path of travel is accessible and meets CBC 1028.8 provisions  

*CBC 1009.1 and CBC 11B-207.1*
- Each accessible means of egress shall be continuous to a public way and consist of one or more of the following:
  - Accessible routes per accessibility correction lists 1B and 5B
  - Interior exit stairways per CBC 1022 and accessibility correction list 7B
  - Interior exit access stairways per CBC 1009 and accessibility correction list 7B
  - Exterior exit stairways per accessibility correction list 7B
  - Elevators per accessibility correction list 8B
  - Platform lifts per accessibility correction list 8B
  - Horizontal exits per CBC 1025
  - Ramps per accessibility correction list 4B
  - Areas of refuge per accessibility correction list 7B or 8B
  - Exterior area for assisted rescue per accessibility correction list 7B

*CBC 1009.2*
- In buildings where a required accessible floor is four or more stories above or below a level of exit discharge, at least one accessible means of egress shall be via elevator per accessibility correction list 8B.  
**Exception:** In buildings equipped throughout with an automatic sprinkler system, elevator shall not be required on floors provided with a horizontal exit and located at or above the level of exit discharge  
**Exception:** In buildings equipped throughout with automatic sprinkler system, elevator shall not be required on floors served by pedestrian ramp per accessibility correction list 4B  

*CBC 1009.2.1*

**ENTRANCES AND EXITS**

- All entrances and exterior ground-floor exits shall be accessible.  
**Exception:** Exterior ground-floor exits serving smoke-proof enclosures, stairwells, and exit doors serving stairs only  
**Exception:** Exits in excess of those required by CBC chapter 10 and more than 24 inches above grade with directional signage posted per item 33 directing occupants to accessible exit(s)  

*CBC 11B-206.4.1*
- Where restricted entrances are provided to a building or facility, all restricted entrances to the building or facility shall be accessible.  

*CBC 11B-206.4.7*
- In existing buildings or facilities, a service entrance shall not be only accessible entrance unless it is only entrance to building or facility.  

*CBC 11B-206.4.8*

**THIS DOCUMENT IS FOR PLAN REVIEW ONLY.  
CORRECTION LIST ITEMS AND FIGURES MAY NOT BE REPRODUCED OR COPIED ON PLANS.  
IF CONFLICTS EXIST BETWEEN CODE TEXT AND FIGURES, THE CODE TEXT SHALL GOVERN.**

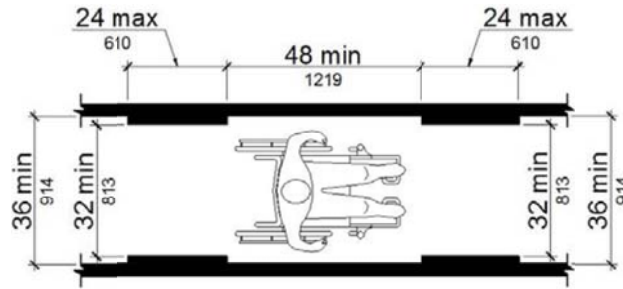
## BUILDINGS REQUIRING ELEVATOR OR RAMP ACCESS

7. In multistory buildings and facilities, provide elevator or pedestrian ramp access to each occupiable story and mezzanine.  
**Exception:** Multistory office buildings – other than professional offices of health-care providers – and passenger vehicle service stations less than three stories high or less than 3000 square feet per story  
**Exception:** Privately funded multistory buildings – other than shopping centers, shopping malls, professional offices of health-care providers, and transportation facilities – less than three stories high or less than 3000 square feet per story provided a reasonable portion of all facilities and accommodations normally sought and used by the public are accessible to and usable by persons with disabilities  
*CBC 11B-206.2.3*
8. In buildings or facilities eligible for elevator exception of item 7, floors above or below the accessible ground floor shall meet all accessibility requirements except for elevator service.  
*CBC 11B-206.2.3*
9. In buildings or facilities eligible for elevator exception of item 7, toilet or bathing facilities shall be provided on a level connected by an accessible route to an accessible entrance.  
*CBC 11B-213.1*
10. In alterations and additions to existing buildings requiring an elevator per item 7 and proposing installation of an escalator or stair where none existed previously and major structural modifications are necessary to achieve it, provide accessible route between levels served by the escalator or stair.  
*CBC 11B-206.2.3.1*
11. In new or existing buildings requiring an elevator per item 7 and exceeding 10,000 square feet on any floor, provide accessible vertical access via pedestrian ramp, elevator, or platform lift within 200 feet of travel of each new stair and escalator.  
**Exception:** Stairs used solely for emergency egress  
*CBC 11B-206.2.3.2*

## INTERIOR ROUTES OF TRAVEL

12. Unless in a building or facility eligible for elevator exception of item 7, an accessible route shall connect entrances with all accessible spaces and elements within the building or facility.  
*CBC 11B-206.2.4*
13. Accessible routes required per item 12 shall comply with each of the following:  
 Coincide with or be located in the same area as general circulation paths  
 Located within building interior where general circulation paths are interior  
 Not pass through kitchens, storage rooms, restrooms, closets, or other similar spaces unless serving those spaces  
*CBC 11B-206.3*
14. Spaces and elements within employee work areas shall be accessible per the following:  
**Exception:** Common-use circulation paths within employee work areas that are an integral component of work area equipment  
**Exception:** Common-use circulation paths within exterior employee work areas fully exposed to the weather  
 Allow individuals with disabilities to approach, enter, and exit the employee work area  
 Include common-use circulation paths within the employee work area  
*CBC 11B-203.9, CBC 11B-206.2.8 and CBC 11B-403.5*
15. Where a particular story contains rooms or spaces at different floor elevations, specify floor elevations at each room and space.  
*CBC 11B-303*
16. Floors of a particular story shall be a common level throughout unless varying levels connected by ramp(s) per accessibility correction list 4B  
**Exception:** Changes in level up to 1/4 inch per CBC Figure 11B-303.2  
**Exception:** Changes in level between 1/4 inch and 1/2 inch with maximum 1:2 slope per CBC Figure 11B-303.3  
*CBC 11B-303*

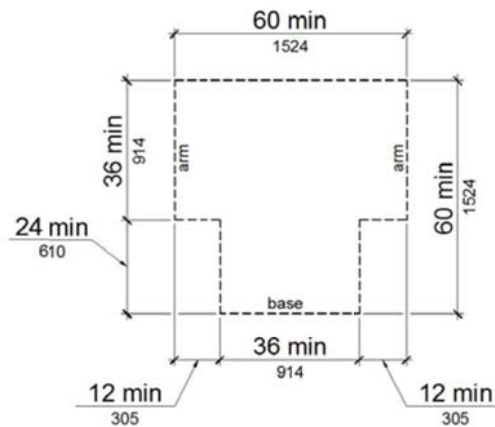
17. Dimension minimum 36-inch-wide clear access to all areas and within all accessible rooms and spaces.  
**Exception:** Minimum 32-inch clear width acceptable – up to 24-inch length – where reduced width segments separated by minimum 48 inches per CBC Figure 11B-403.5.1  
**Exception:** Minimum 44-inch clear width required in corridors serving occupant load of 10 or more  
**Exception:** Minimum 44-inch clear width required in aisles serving elements on both sides



**FIGURE 11B-403.5.1  
 CLEAR WIDTH OF AN ACCESSIBLE ROUTE**

*CBC 11B-403.5.1*

18. On accessible routes exceeding 200 feet in length, dimension wheelchair passing spaces complying with one of the following at maximum 200-foot intervals:
- Minimum 60-inch-wide by 60-inch-long
  - T-shaped intersections per CBC Figure 11B-304.3.2



**FIGURE 11B-304.3.2  
 T-SHAPED TURNING SPACE**

*CBC 11B-403.5.2*

19. Dimension level wheelchair turning space complying with one of the following in all rooms and spaces:
- Minimum 60-inch-diameter and may include complying knee and toe clearance
  - T-shaped space per CBC Figure 11B-304.3.2

*CBC 11B-304.3*

20. Dimension adequate wheelchair clearance for 180-degree turn around an element per CBC Figure 11B-403.5.2(a) or CBC Figure 11B-403.5.2(b).  
**Exception:** Accessible routes with minimum 60-inch width

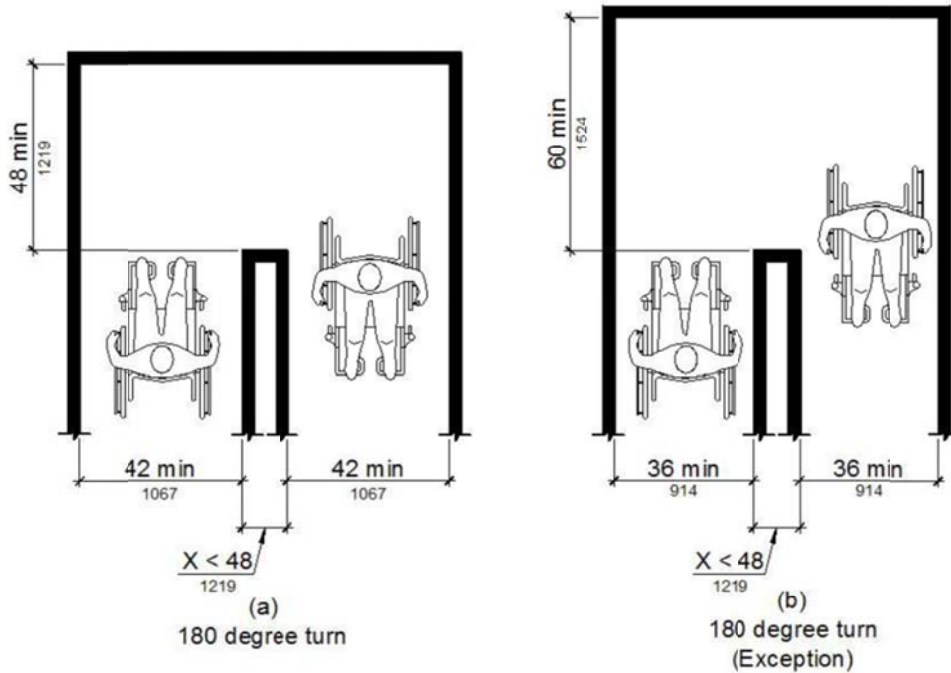


FIGURE 11B-403.5.2  
CLEAR WIDTH AT TURN

CBC 11B-403.5.2

21. Dimension minimum 80-inch vertical clearance along all accessible routes and within all accessible spaces. CBC 11B-307.4
22. Provide cane-detectable barrier at maximum 27 inches above floor at areas adjoining accessible routes or spaces with less than 80 inches vertical clearance per CBC Figure 11B-307.4. CBC 11B-307.4
23. Identify on floor plans any objects projecting into circulation paths and dimension to comply with the following:
  - 4-inch maximum horizontal protrusion of any wall-mounted object with leading edge between 27 inches and 80 inches above walking surface per CBC Figure 11B-307.2  
**Exception:** Maximum 4-1/2 inches for handrails
  - Exception:** Door closers and door stops may be minimum 78 inches above walking surface
  - 12-inch maximum overhang of any post-mounted object with leading edge between 27 inches and 80 inches above walking surface per CBC Figure 11B-307.3(a)
  - Lowest edge of sign or other object maximum 27 inches or minimum 80 inches above walking surface where mounted between posts spaced greater than 12 inches apart per CBC Figure 11B-307.3(b)
  - Protruding objects shall not reduce the required clear width of any accessible route
  - Rounded or eased corners with minimum 1/8-inch radius for any sign or other object projecting from a post and with bottom edge less than 80 inches above walking surface

CBC 11B-204.1 and CBC 11B-307

### MISCELLANEOUS REQUIREMENTS

24. Specify reach ranges shall comply with the following as applicable:
  - Unobstructed forward reach per CBC Figure 11B-308.2.1:
    - o High forward reach maximum 48 inches and low forward reach minimum 15 inches above finished floor

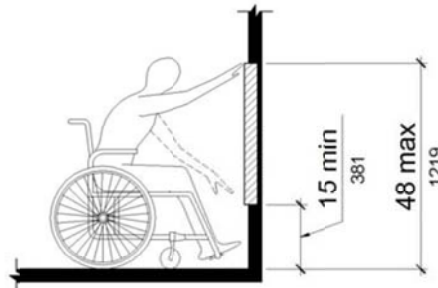
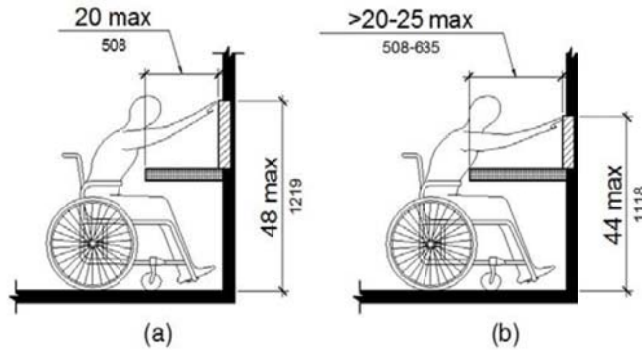


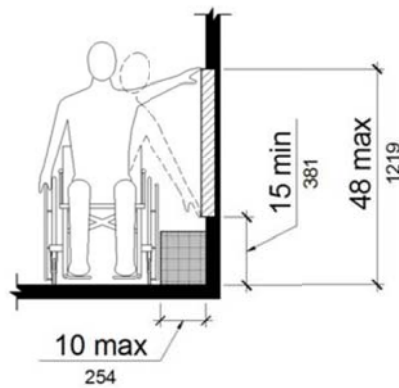
FIGURE 11B-308.2.1  
UNOBSTRUCTED FORWARD REACH

- Obstructed high reach per CBC Figure 11B-302.2.2:
  - Where reach depth maximum 20 inches, high forward reach maximum 48 inches above finished floor
  - Where reach depth exceed 20 inches, high forward reach maximum 44 inches and reach depth maximum 25 inches
  - Clear floor space extending beneath obstructing element for a distance not less than required reach depth over obstruction



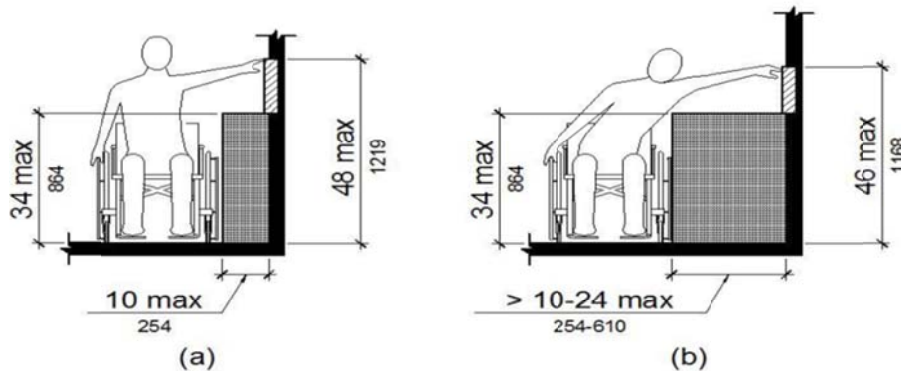
**FIGURE 11B-302.2.2  
OBSTRUCTED HIGH FORWARD REACH**

- Where parallel approach allowed, unobstructed side reach per CBC Figure 11B-308.3.1:
  - High side reach maximum 48 inches and minimum 15 inches above finished floor
  - Exception:** Obstruction maximum 10-inches deep allowed between clear floor space and element reached



**FIGURE 11B-308.3.1  
UNOBSTRUCTED SIDE REACH**

- Where parallel approach allowed, obstructed side reach per CBC Figure 11B-308.3.2:
  - Height of obstructed 34 inches maximum
  - Depth of obstruction 24 inches maximum
  - Where reach depth maximum 10 inches, high side reach maximum 48 inches
  - Where reach depth exceeds 10 inches, high side reach maximum 46 inches and reach depth maximum 24 inches



**FIGURE 11B-308.3.2  
OBSTRUCTED HIGH SIDE REACH**

25. Specify any electrical switches or receptacle outlets shall be located within reach ranges per item 24 except low reach shall be measured to the bottom of the outlet box and high reach shall be measured to the top of the outlet box.

CBC 11B-308

26. Specify any carpet shall comply with the following:

- Maximum 1/2-inch pile height per CBC Figure 11B-302.2
- Securely attached
- Firm cushion, pad, or backing, or no cushion or pad
- Level loop, textured loop, level-cut pile, level-cut/uncut pile texture
- Exposed edges fastened to floor surface with trim along entire length of exposed edge
- Edge trim with maximum 1/4-inch vertical change in level or beveled change in level between 1/4 inch and 1/2 inch with maximum 1:2 slope

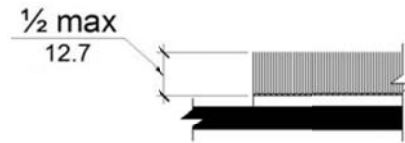


FIGURE 11B-302.2  
CARPET PILE HEIGHT

CBC 11B-302.2

## SIGNAGE

27. Identify on plans location of each sign required or provided per items 28 through 32 and coordinate with signage schedule and details indicating the following:

- Sign dimensions
- Character and symbol dimensions
- Character, symbol, and background colors
- Braille dimensions
- Dimension of vertical clearance above floor or ground
- Dimension of any horizontal projection from wall

CBC 11B-703.1.1.1

28. In existing building and facilities where not all entrances are accessible, provide signage at entrances per the following:

- Signage at each accessible entrance displaying International Symbol of Accessibility  
**Exception:** Signage not required at entrances to individual rooms, suites, offices, sales or rental establishments, or other such spaces when all entrances to building or facility are accessible and persons entering building or facility will have passed through at least one entrance with complying signage  
**Exception:** Signage not required at machinery spaces frequented only by service personnel
- Signage at each inaccessible entrance – per visual character requirements of item 33 -- indicating location of nearest accessible entrance

CBC 11B-216.6

29. Provide sign including the following at each elevator landing, within each area of refuge, and at each exit door to an inaccessible exit:

- International Symbol of Accessibility
- Directions to nearest accessible exit per visual character requirements of item 33

CBC 1009.10

30. Provide tactile signage complying with the following at exit doors:

- Each grade-level exterior exit door required to have visual exit signage shall be identified by tactile sign with word “EXIT”
- Each exit door leading directly to grade-level exterior exit via stairway or ramp and required to have visual exit signage shall be identified by tactile sign with the following words as applicable:
  - “EXIT STAIR DOWN”
  - “EXIT RAMP DOWN”
  - “EXIT STAIR UP”
  - “EXIT RAMP UP”
- Each exit door leading directly to grade-level exterior exit via interior exit stairway or exit passageway and required to have visual exit signage shall be identified by tactile sign with words “EXIT ROUTE”
- Each exit access door required to have visual exit signage from an interior room or area to a corridor or hallway shall be identified by tactile sign with words “EXIT ROUTE”
- Each exit door through a horizontal exit and required to have visual exit signage shall be identified by tactile sign with words “TO EXIT”
- Placed on approach side as one exits room or space
- Placed adjacent to door on latch side
 

**Exception:** Where provided at double doors with two active leaves, signage shall be located to the right of the doors

**Exception:** Where no wall space available on latch side of single door or right side of double doors, signage shall be located on nearest adjacent wall
- Located so clear floor space minimum 18 inches by 18 inches – centered on tactile characters – provided beyond arc of any door swing between closed and 45-degree-open positions per CBC Figure 11B-703.4.2
- Mounted per CBC Figure 11B-703.4.1:
  - Minimum 48 inches from finish floor or ground surface to baseline of lowest line of Braille
  - Maximum 60 inches from finish floor or ground surface to baseline of highest line of raised characters
- Visual characters contrasting with background, each with non-glare finish
- Raised characters/symbols per item 0
- Corresponding Braille per item 36 provided beneath raised characters and symbols

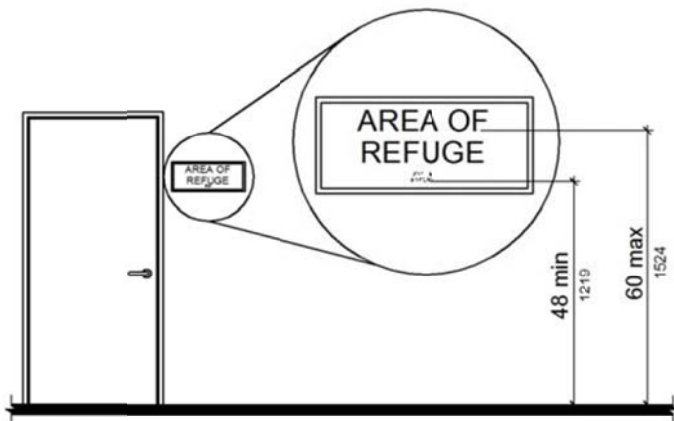


FIGURE 11B-703.4.1  
HEIGHT OF TACTILE CHARACTERS  
ABOVE FINISH FLOOR OR GROUND

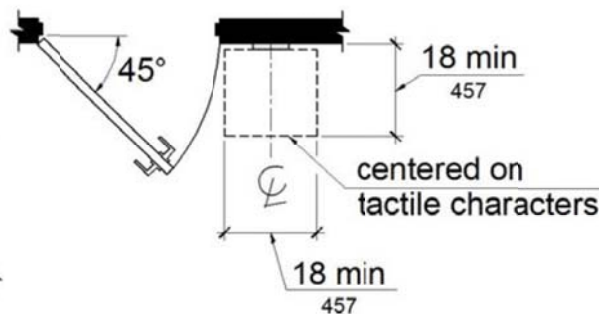


FIGURE 11B-703.4.2  
LOCATION OF TACTILE SIGNS AT DOORS  
CBC 1013.4, CBC 11B-216.4.1, and CBC 11B-703.4

31. Provide tactile signage complying with the following at exit doors with delayed-egress locks:

- Reading: “KEEP PUSHING. THIS DOOR WILL OPEN IN 15 SECONDS. ALARM WILL SOUND.”
 

**Exception:** In facilities housing Alzheimer’s or dementia clients, a delay of 30 seconds is allowed
- Placed on approach side as one exits room or space
- Placed adjacent to door on latch side
 

**Exception:** Where provided at double doors with two active leaves, signage shall be located to the right of the doors

**Exception:** Where no wall space available on latch side of single door or right side of double doors, signage shall be located on nearest adjacent wall
- Located with clear floor space minimum 18 inches by 18 inches – centered on tactile characters – provided beyond arc of any door swing between closed and 45-degree-open positions
- Mounted per CBC Figure 11B-703.4.1:
  - Minimum 48 inches from finish floor or ground surface to baseline of lowest line of Braille
  - Maximum 60 inches from finish floor or ground surface to baseline of highest line of raised characters
- Visual characters contrasting with background, each with non-glare finish
- Raised characters/symbols per item 35
- Corresponding Braille per item 36 provided beneath raised characters and symbols

CBC 1010.1.9.7(6), CBC 11B-216.4.4, and CBC 11B-703.4

32. Any room identification signs shall comply with the following at each accessible room:
- Placed on approach side as one enters room or space
  - Placed adjacent to door on latch side
    - Exception:** Where provided at double doors with two active leaves, signage shall be located to the right of the doors
    - Exception:** Where no wall space available on latch side of single door or right side of double doors, signage shall be located on nearest adjacent wall
  - Located with clear floor space minimum 18 inches by 18 inches – centered on tactile characters – provided beyond arc of any door swing between closed and 45-degree-open positions
  - Mounted per CBC Figure 11B-703.4.1:
    - o Minimum 48 inches from finish floor or ground surface to baseline of lowest line of Braille
    - o Maximum 60 inches from finish floor or ground surface to baseline of highest line of raised characters
  - Visual characters contrasting with background, each with non-glare finish
  - Any pictograms per item 34
  - Raised characters/symbols per item 35
  - Corresponding Braille per item 36 provided beneath raised characters and symbols

CBC 11B-216.2

33. Specify on signage schedule and/or details visual characters on any directional and informational signs complying with the following:
- Exception:** Visual characters complying with CBC 11B-703.2 raised character requirements and accompanied by Braille per CBC 11B-703.3 need not comply with case, style, font proportion, height, or spacing provisions
- Located minimum 40 inches above finished floor
  - Characters and background with non-glare finish
  - Characters contrasting with background, either light characters on dark background or dark characters on light background
  - Text shall be in a horizontal format
  - Line spacing between baselines of separate character lines at minimum 135 percent and maximum 170 percent of character height
  - Characters shall be uppercase or lowercase or a combination of both
  - Characters shall be conventional in form – i.e., not italic, oblique, script, highly decorate, or of other unusual form
  - Character font with uppercase letter “O” width minimum 60 percent and maximum 110 percent uppercase letter “I” height
  - Characters with stroke thickness of uppercase letter “I” minimum 10 percent and maximum 20 percent character height
  - Characters spaced with closest points of adjacent character minimum 10 percent and maximum 35 percent of character height
  - Character height sized according CBC Table 11B-703.5.5 and based on uppercase letter “I”

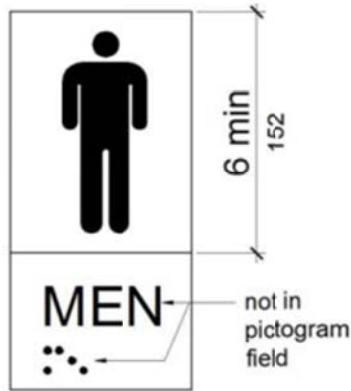
**TABLE 11B-703.5.5  
VISUAL CHARACTER HEIGHT**

HEIGHT TO FINISH FLOOR OR GROUND FROM BASELINE OF CHARACTER	HORIZONTAL VIEWING DISTANCE	MINIMUM CHARACTER HEIGHT
40 inches (1016 mm) to less than or equal to 70 inches (1778 mm)	less than 72 inches (1829 mm)	$\frac{5}{8}$ inch (15.9 mm)
	72 inches (1829 mm) and greater	$\frac{5}{8}$ inch (15.9 mm), plus $\frac{1}{8}$ inch (3.2 mm) per foot (305 mm) of viewing distance above 72 inches (1829 mm)
Greater than 70 inches (1778 mm) to less than or equal to 120 inches (3048 mm)	less than 180 inches (4572 mm)	2 inches (51 mm)
	180 inches (4572 mm) and greater	2 inches (51 mm), plus $\frac{1}{8}$ inch (3.2 mm) per foot (305 mm) of viewing distance above 180 inches (4572 mm)
greater than 120 inches (3048 mm)	less than 21 feet (6401 mm)	3 inches (76 mm)
	21 feet (6401 mm) and greater	3 inches (76 mm), plus $\frac{1}{8}$ inch (3.2 mm) per foot (305 mm) of viewing distance above 21 feet (6401 mm)

CBC 11B-703.5

34. Specify on signage schedule and/or details pictograms on any directional and informational signs complying with the following:
- Field height of minimum 6 inches per CBC Figure 11B-703.6.1
  - Characters and Braille not within pictogram field
  - Pictograms and field with non-glare finish
  - Pictograms contrasting with field, either light pictogram on dark field or dark pictogram on light field
  - Include text descriptors complying with raised character, Braille, and mounting height provisions of CBC 11B-703



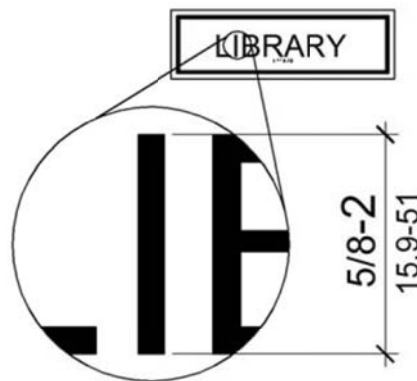


**FIGURE 11B-703.6.1  
PICTOGRAM FIELD**

*CBC 11B-703.6*

**35. Raised characters on signage shall comply with the following:**

- Characters minimum 5/8-inch and maximum 2-inches high based on height of uppercase letter “I” per CBC Figure 11B-703.2.5
- Characters raised minimum 1/32 inch
- Text in horizontal format
- Characters sans serif and uppercase
- Width of uppercase letter “O” minimum 60 percent and maximum 110 percent height of uppercase letter “I”
- Stroke thickness of uppercase letter “I” maximum 15 percent height of character
- Spacing between individual raised characters per the following:
  - o Where characters have rectangular cross sections, minimum 1/8 inch and maximum 4 times raised character stroke width
  - o Where characters have non-rectangular cross sections, minimum 1/16 inch and maximum 4 times raised character stroke width at base of cross sections and minimum 1/8 inch and maximum 4 times raised character stroke width at top of cross sections
- Spacing between baselines of separate lines of raised characters of minimum 135% and maximum 170% of raised character height
- Characters separated minimum 3/8 inch from raised borders and decorative elements



**FIGURE 11B-703.2.5  
HEIGHT OF RAISED CHARACTERS**

*CBC 11B-703.2*

**36. Braille on signage shall comply with the following:**

- Contracted (Grade 2)
- Braille flush left or centered and placed minimum 3/8 inch and maximum 1/2 inch below raised characters or symbols per CBC Figure 11B-703.3.2
- Braille in horizontal format
- When raised characters are multilined text, all Braille placed together below all raised text lines
- Dots domed or rounded with dimensions per CBC Table 11B-703.3.1 and CBC Figure 11B-703.3.1

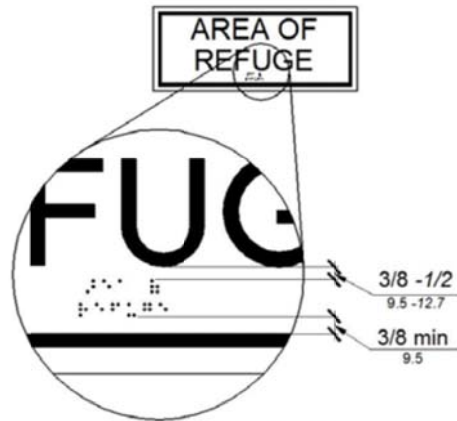


FIGURE 11B-703.3.2  
POSITION OF BRAILLE

TABLE 11B-703.3.1  
BRAILLE DIMENSIONS

MEASUREMENT RANGE	MINIMUM IN INCHES MAXIMUM IN INCHES
Dot base diameter	0.059 (1.5 mm) to 0.063 (1.6 mm)
Distance between two dots in the same cell <sup>1</sup>	0.100 (2.5 mm)
Distance between corresponding dots in adjacent cells <sup>1</sup>	0.300 (7.6 mm)
Dot height	0.025 (0.6 mm) to 0.037 (0.9 mm)
Distance between corresponding dots from one cell directly below <sup>1</sup>	0.395 (10 mm) to 0.400 (10.2 mm)

1. Measured center to center.

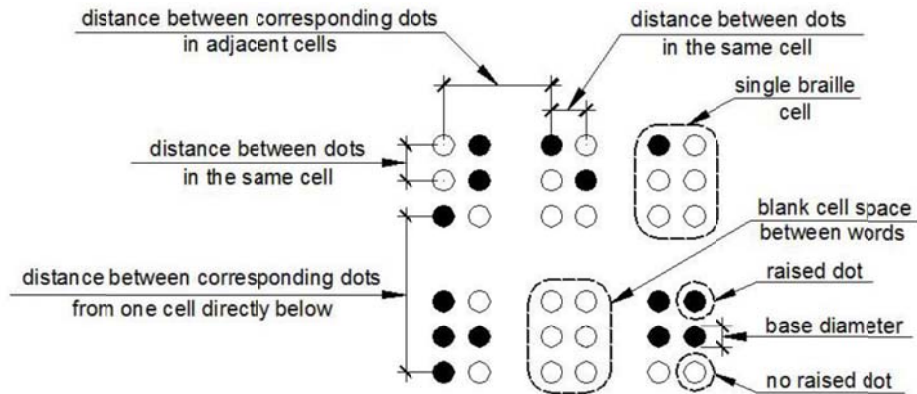


FIGURE 11B-703.3.1  
BRAILLE MEASUREMENT

CBC 11B-703.3