



**County of San Diego  
Planning & Development Services  
BUILDING DIVISION**

ACCESSIBILITY CORRECTION LIST Public Accommodations & Commercial Buildings	<b>9B</b>
<b>Toilet Facilities</b>	

RECORD ID:	OWNER ON APPLICATION:
------------	-----------------------

**SCOPING**

- Provide accessible toilet facilities per the following:
  - Exception:** Where multiple single-accommodation toilet rooms are clustered at a single location, 50 percent – but not fewer than one – of each toilet room type shall be accessible
    - Each separate-gender facility provided shall be accessible
    - Each unisex facility provided shall be accessible

*CBC 11B-213.2*
- All toilet facilities required to be accessible per item 1 shall be located on an accessible route
 

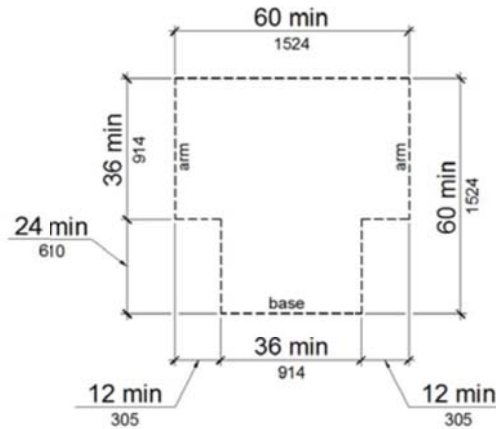
*CBC 11B-206.2.4*
- Provide complete dimensions and coordinated detailing for each accessible toilet facility.
 

*CBC 11B-603*

**SINGLE-ACCOMMODATION TOILET FACILITIES**

- Dimension clear wheelchair turning space within toilet facility complying with the following:
  - Minimum 60-inch-diameter or equivalent T-shaped space per CBC Figure 11B-304.3.2
  - May include maximum 19-inch deep knee and toe clearance per items 31 and 32 beneath lavatory
  - Maximum 12-inch door encroachment

**Exception:** Door encroachment allowed into turning space if minimum 30-inch-wide by 48-inch-deep clear floor space provided in room beyond arc of door swing



**FIGURE 11B-304.3.2  
T-SHAPED TURNING SPACE**

*CBC 11B-304.3, CBC 11B-305.4, CBC 11B-306.2, and CBC 11B-603.2*

- Dimension clearances at toilet per CBC Figure 11B-604.3.1:
  - Minimum 60-inch-wide by 56-inch-deep clear floor space
  - Minimum 60-inch-wide by 48-inch-deep maneuvering space in front of toilet
  - Door encroachment allowed only into maneuvering space

**Exception:** Door encroachment allowed into clear floor space if minimum 30-inch-wide by 48-inch-deep clear floor space provided in room beyond arc of door swing

**THIS DOCUMENT IS FOR PLAN REVIEW ONLY.  
CORRECTION LIST ITEMS AND FIGURES MAY NOT BE REPRODUCED OR COPIED ON PLANS.  
IF CONFLICTS EXIST BETWEEN CODE TEXT AND FIGURES, THE CODE TEXT SHALL GOVERN.**

**5510 OVERLAND AVE, SUITE 110, SAN DIEGO, CA 92123 • (858) 565-5920 • (888) 336-7553**

**HTTP://WWW.SDCPDS.ORG**

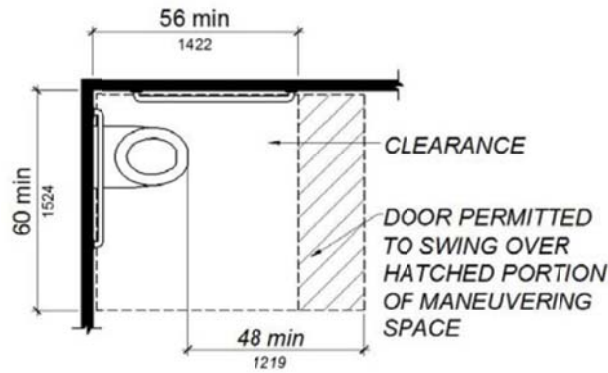


FIGURE 11B-604.3.1  
SIZE OF CLEARANCE AT WATER CLOSETS

CBC 11B-603.2.3 and CBC 11B-604.3.1

### MULTI-ACCOMMODATION TOILET FACILITIES

6. Dimension clear wheelchair turning space within toilet facility complying with the following:
  - Minimum 60-inch diameter or equivalent T-shaped space per CBC Figure 11B-304.3.2 (above)
  - Minimum 27-inch clearance above floor
  - No door encroachment more than 12 inches

**Exception:** Door to accessible toilet compartment

CBC 11B-603.2
  
7. In each multi-accommodation toilet facility, at least 5% of toilet compartments – but no fewer than one – shall comply with items 10 through 13.
 

CBC 11B-213.3.1
  
8. Dimension minimum 44-inch-wide accessible route to each accessible toilet compartment.
 

**Exception:** Doors may swing into this clear width

CBC 11B-403.5.1
  
9. Dimension maneuvering and strike-edge clearances at door to accessible toilet compartment per CBC 11B-404.2.4.1 for applicable direction of approach.
 

**Exception:** Push-side clearance for in-swinging door may not be less than 48 inches measured perpendicular to door in closed position

CBC 11B-604.8.1.2
  
10. Door to accessible toilet compartment shall comply with the following:
  - Located in front partition or side partition farthest from toilet
  - Where located in front partition, door opening maximum 4 inches from side partition farthest from toilet per CBC Figure 11B-604.8.1.2
  - Where located in side partition, door opening maximum 4 inches from front partition per CBC Figure 11B-604.8.1.2
  - At least one side partition shall provide toe clearance per CBC Figure 11B-604.8.1.4:
 

**Exception:** Toe clearance not required at accessible toilet compartments with minimum 66-inch width

    - o Minimum 9-inches high
    - o Minimum 6-inches deep beyond compartment-side face of partition, exclusive of partition support members

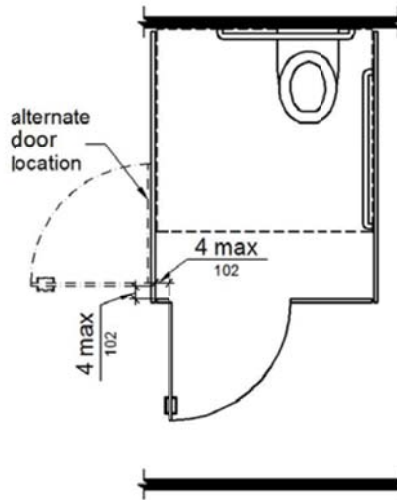


FIGURE 11B-604.8.1.2  
WHEELCHAIR ACCESSIBLE TOILET COMPARTMENT DOORS

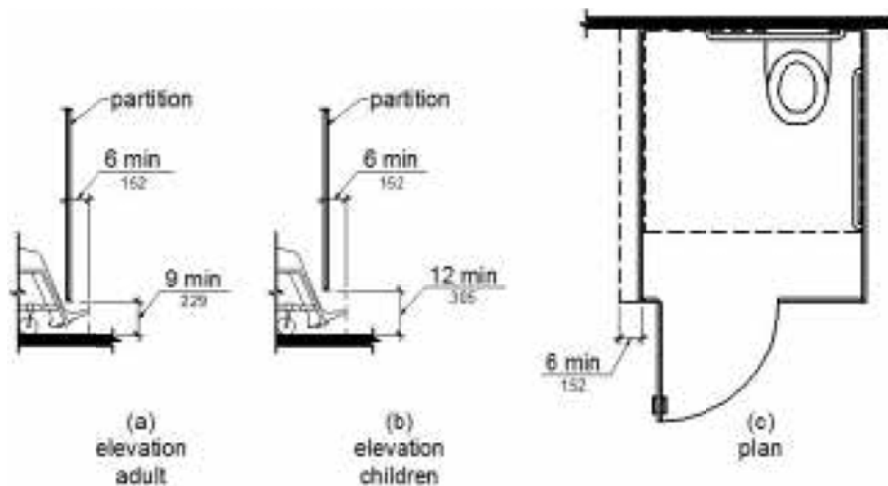


FIGURE 11B-604.8.1.4  
WHEELCHAIR ACCESSIBLE TOILET COMPARTMENT TOE CLEARANCE

CBC 11B-604.8.1.2

11. Specify on door schedule the following for door to accessible toilet compartment:

- Minimum 32-inch clear opening width for door located at end of accessible toilet compartment
- Minimum 34-inch clear opening width for door located at side of accessible toilet compartment.
- Equipped with self-closing device
- Equipped with door pull on both sides of door with hardware minimum 34 inches and maximum 44 inches above finished floor and not requiring grasping or twisting

CBC 11B-404.2.7 and CBC 11B-604.8.1.2

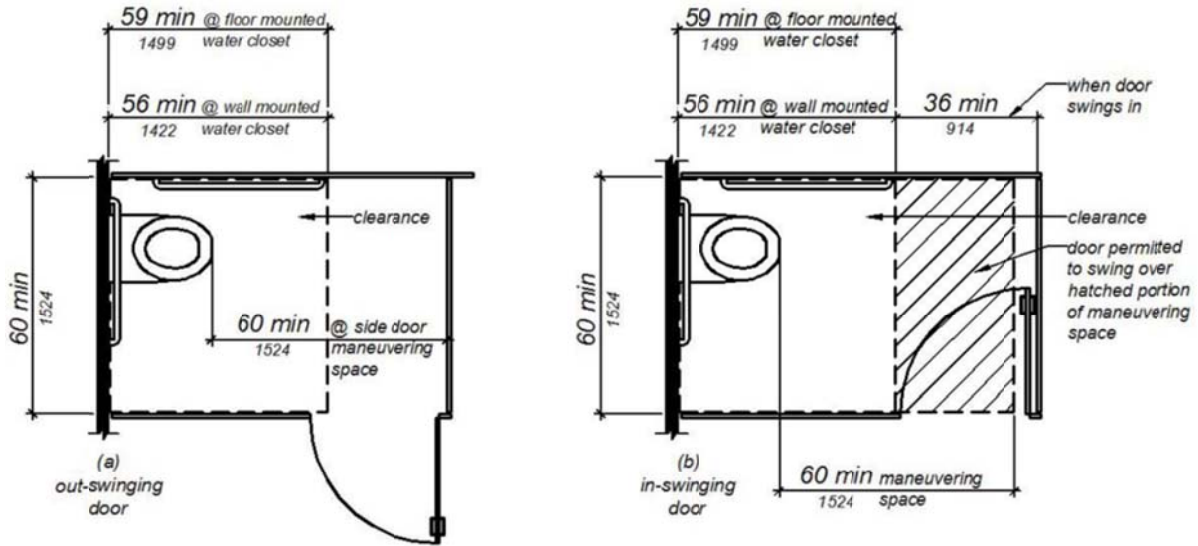
12. Dimension clear floor space at toilet per CBC Figure 11B-604.8.1.1.2:

- Minimum 60-inches wide by 56-inches deep – measured from rear wall – for wall-mounted toilet
- Minimum 60-inches wide by 59-inches deep – measured from rear wall – for floor-mounted toilet
- No door encroachment

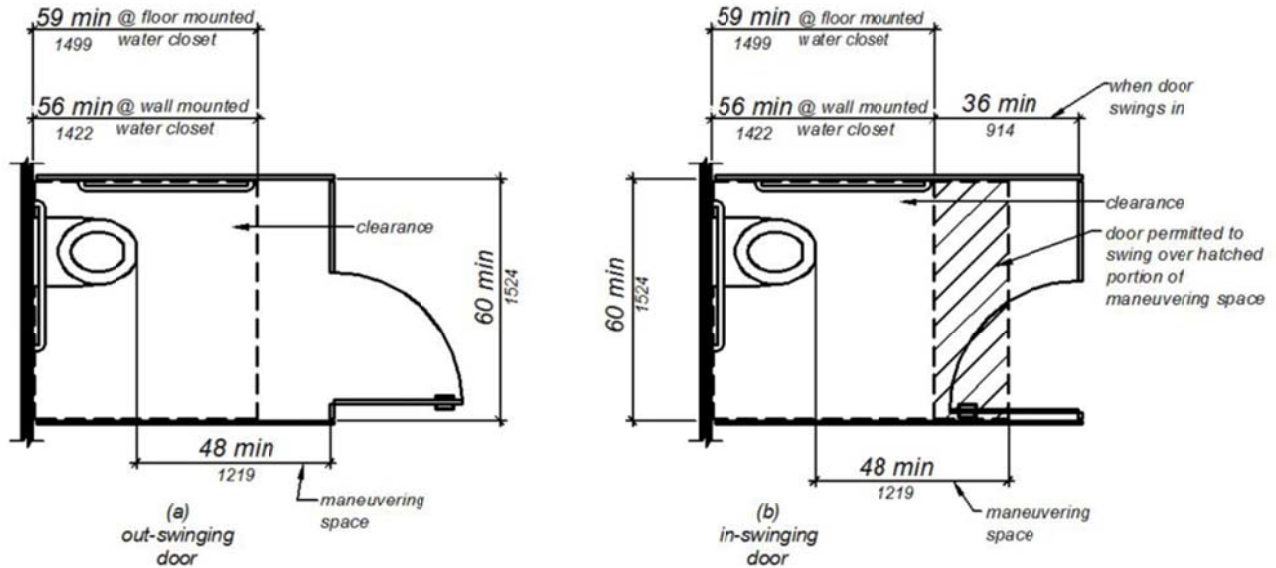
CBC 11B-604.8.1.1

13. Dimension maneuvering space in front of toilet per CBC Figure 11B-604.8.1.1.2 or CBC Figure 11B-604.8.1.1.3:

- Minimum 60-inches wide by 60-inches deep for accessible toilet compartment with side-opening door per CBC Figure 11B-604.8.1.1.2
- Minimum 60-inches wide by 48-inches deep for accessible toilet compartment with end-opening door per CBC Figure 11B-604.8.1.1.3
- Door encroachment allowed only into minimum 36-inch-deep additional maneuvering space provided in front of required clear floor space



**FIGURE 11B-604.8.1.1.2  
MANEUVERING SPACE WITH SIDE-OPENING DOOR**

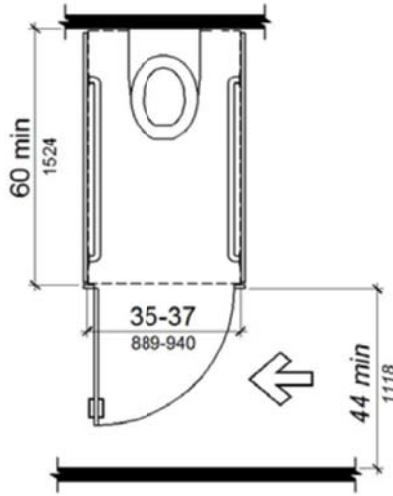


**FIGURE 11B-604.8.1.1.3  
MANEUVERING SPACE WITH END-OPENING DOOR**

CBC 11B-604.8.1.1

14. In toilet facilities with six or more toilet compartments or six or more toilets and urinals, provide at least one toilet compartment – in addition to accessible toilet compartment required per item 7 – complying with the following ambulatory accessibility features per CBC Figure 11B-604.8.2:

- Minimum 35-inch and maximum 37-inch width
- Minimum 60-inch depth
- Outward swinging, self-closing door with compliant door hardware and pull and adequate strike edge clearance
- Grab bars on each side per item 19



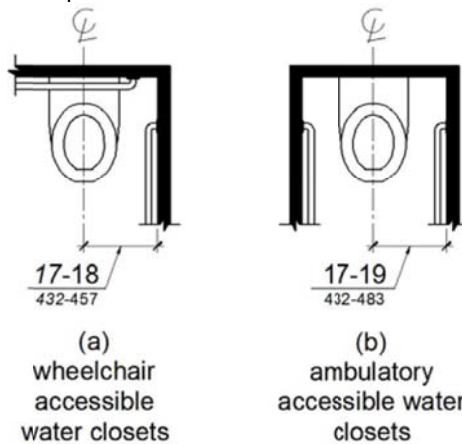
**11B-604.8.2  
AMBULATORY ACCESSIBLE TOILET COMPARTMENT**

*CBC 11B-213.3.1 and CBC 11B-604.8.2*

**TOILETS**

15. Dimension minimum 17 inches and maximum 18 inches between centerline of toilet fixture and adjacent side wall or partition per CBC Figure 11B-604.2.

**Exception:** Centerline of toilet located in ambulatory accessible compartment per item 14 shall be minimum 17 inches and maximum 19 inches from adjacent side wall or partition



**FIGURE 11B-604.2  
WATER CLOSET LOCATION**

*CBC 11B-604.2*

16. Detail minimum 17-inch and maximum 19-inch height of accessible toilets measured from finished floor to top of maximum 2-inch-high toilet seat.

**Exception:** Maximum 3-inch-high seat allowed in alterations where existing toilet less than 15-inches high

*CBC 11B-604.4*

17. Specify toilet seats shall not spring to return to a lifted position.

*CBC 11B-604.4*

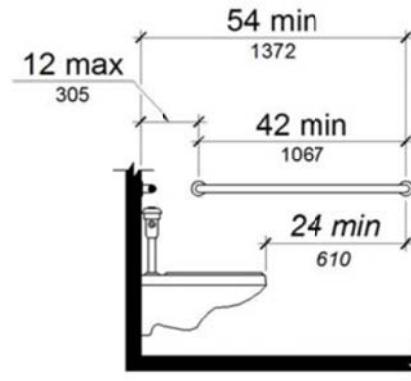
18. Specify toilet flush controls complying with the following:

- Mounted maximum 44 inches above floor
- Mounted on open side of toilet
- Exception:** Ambulatory accessible toilets per item 14
- Operable with maximum 5 pounds of force
- Operable with one hand and without tight grasping, pinching, or twisting of wrist

*CBC 11B-309.4 and CBC 11B-604.6*

## GRAB BARS

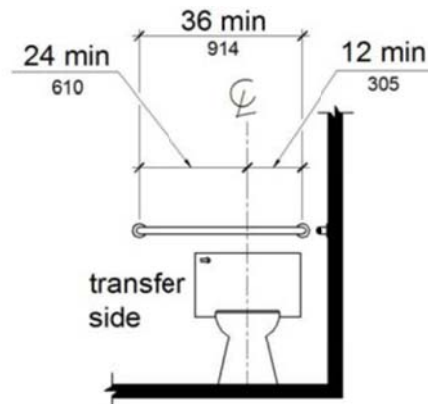
19. Provide grab bar on side wall closest to toilet and dimension to comply with the following per CBC Figure 11B-604.5.1:
- Minimum 42-inches long
  - Positioned maximum 12 inches from rear wall
  - Extending minimum 54 inches from rear wall
  - Extending minimum 24 inches in front of toilet
  - Mounted horizontally at minimum 33 inches and maximum 36 inches from finished floor to top of gripping surface



**FIGURE 11B-604.5.1**  
**SIDE WALL GRAB BAR AT WATER CLOSETS**

*CBC 11B-604.5.1, CBC 11B-604.8.1.5, and CBC 11B-609.4*

20. Provide grab bar on rear wall behind toilet and dimension to comply with the following per CBC Figure 11B-604.5.2:
- Minimum 36-inches long
    - Exception:** Minimum 24-inch length, centered on toilet, acceptable where wall space does not allow 36-inch length due to location of a recessed fixture adjacent to toilet
  - Extending from centerline of toilet minimum 12 inches on one side
  - Extending from centerline of toilet minimum 24 inches on other side
  - Mounted horizontally at minimum 33 inches and maximum 36 inches from finished floor to top of gripping surface



**FIGURE 11B-604.5.2**  
**REAR WALL GRAB BAR AT WATER CLOSETS**

*CBC 11B-604.5.2 and CBC 11B-609.4*

21. Detail the grab bar gripping surfaces per the CBC Figure 11B-609.2.2:
- If cross section is circular, minimum 1-1/4-inch and maximum 2-inch outside diameter
  - If cross section is non-circular, minimum 4-inch and maximum 4.8-inch perimeter and maximum 2-inch cross-section dimension

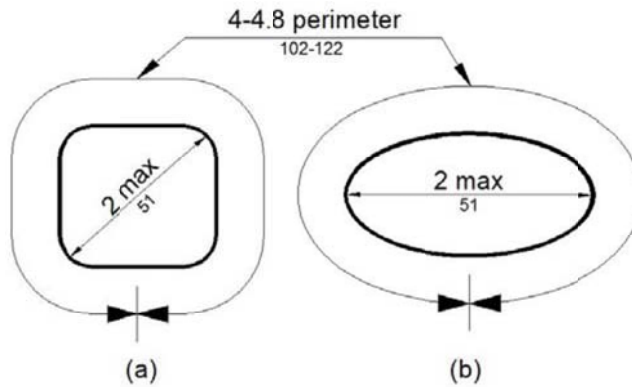


FIGURE 11B-609.2.2  
GRAB BAR NON-CIRCULAR CROSS SECTION

CBC 11B-609.2

22. Detail grab bar clearance from adjacent elements per the following:
- For grab bars mounted adjacent to a wall, 1-1/2-inch (absolute) space between the wall and grab bar
  - Minimum 1-1/2-inch space between grab bar and projecting objects below and at ends
  - Minimum 12-inch space between grab bar and projecting objects above

CBC 11B-609.3

23. Specify surface material of any walls or other objects adjacent to grab bars to comply with the following:
- Free of sharp or abrasive elements
  - Rounded edges

CBC 11B-609.5

24. Specify structural adequacy of grab bars, mounting hardware, and fasteners to accommodate 250-pound point load applied at any point on the grab bar, fastener, mounting device, or supporting structure.

CBC 11B-609.8

## URINALS

25. Identify at least 10% of urinals provided -- but no fewer than one -- as stall-type or wall-hung with the following clear floor space dimensioned in front:
- Minimum 30-inches wide by 48-inches long  
**Exception:** Minimum 36-inches wide by 48-inches long clear floor space required at urinals located in alcoves greater than 24-inches deep
  - Allowing forward approach from accessible route
  - No door encroachment  
**Exception:** In single-accommodation toilet facilities, door encroachment allowed into clear space if minimum 30-inch-wide by 48-inch-deep clear floor space provided in room beyond arc of door swing

CBC 11B-213.3.3, CBC 11B-305, and CBC 11B-605.3

26. Where wall-hung urinals are provided, provide at least one including an rim complying with the following per CBC Figure 11B-605.2:
- Maximum 17 inches above finished floor
  - Minimum 13-1/2 inches deep, measured from outer face of rim to back of fixture



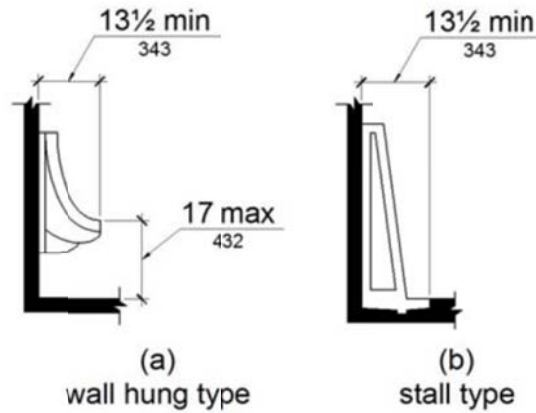


FIGURE 11B-605.2  
HEIGHT AND DEPTH OF URINALS

CBC 11B-605.2

27. Specify urinal flush controls complying with the following:

- Mounted maximum 44 inches above floor
- Operable with maximum 5 pounds of force
- Operable with one hand and without tight grasping, pinching, or twisting of wrist

CBC 11B-309.4 and CBC 11B-605.4

**LAVATORIES**

28. Identify at least 10% of lavatories provided – but no fewer than one – as accessible and not located within a toilet compartment.

CBC 11B-213.3.4

29. Dimension the following for accessible lavatories:

- Minimum 18 inches between centerline of lavatory and adjacent side walls or partitions
- Lavatory mounted with higher of rim or counter surface maximum 34 inches above floor

CBC 11B-606.3 and CBC 11B-606.6

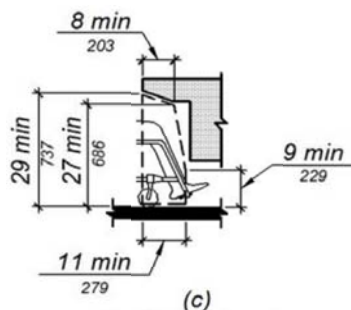
30. Dimension the following clear floor space in front of each accessible lavatory:

- Minimum 30-inch-wide by 48-inch-long clear floor space
  - Exception:** Clear floor space in front of accessible lavatory may extend maximum 19 inches into knee and toe clearance beneath lavatory
- Allowing forward approach from accessible route
- No door encroachment
  - Exception:** In single-accommodation toilet facilities, door encroachment allowed into clear space if minimum 30-inch-wide by 48-inch-deep clear floor space provided in room beyond arc of door swing

CBC 11B-305, CBC 11B-306.2.2, and CBC 11B-606.2

31. Provide knee clearance beneath accessible lavatories complying with the following per CBC Figure 11B-306.3(c):

- Minimum 29-inch vertical clearance at front edge of lavatory
- Reducing to minimum 27-inch vertical clearance at 8-inch depth
- Reducing to minimum 9-inch vertical clearance at minimum 11-inch depth at rate of 1 inch in depth for each 6 inches in height
- Minimum 30-inch width
- Hot water and drain pipes insulated or otherwise configured to protect against contact
- No sharp or abrasive surfaces

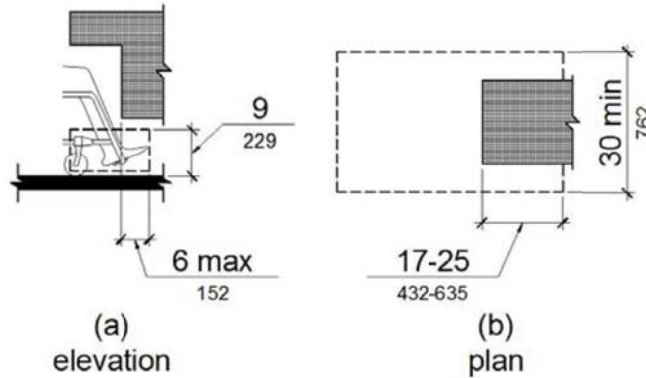


(c)  
elevation @ lavatory  
FIGURE 11B-306.3  
KNEE CLEARANCE

CBC 11B-306.3 and CBC 11B-606.5



32. Provide toe clearance beneath accessible lavatories complying with the following per CBC Figure 11B-306.2:
- Minimum 9-inch height
  - Minimum 17-inch depth
  - Minimum 30-inch width
  - Space extending more than 6 inches beyond available knee clearance or more than 25 inches beneath lavatory shall not be considered toe clearance
  - Hot water and drain pipes insulated or otherwise configured to protect against contact
  - No sharp or abrasive surfaces



**FIGURE 11B-306.2  
TOE CLEARANCE**

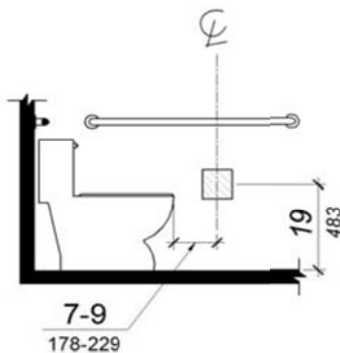
*CBC 11B-306.2 and CBC 11B-606.5*

33. Specify lavatory faucet controls complying with the following:
- Mounted within CBC 11B-308 reach ranges
  - Operable with maximum 5 pounds of force
  - Operable with one hand and without tight grasping, pinching, or twisting of wrist
  - Hand-operated metering faucets open for minimum 10 seconds

*CBC 11B-309.4, CBC 11B-603.5, and CBC 11B-606.4*

**ACCESSORIES**

34. Detail the following for toilet tissue dispensers at accessible toilets per CBC Figure 11B-604.7:
- Mounted on adjacent side wall below side grab bar
  - Mounted minimum 19 inches above floor
  - Positioned with dispenser centerline minimum 7 inches and maximum 9 inches from front edge of toilet seat
  - Operable with maximum 5 pounds of force
  - Operable with one hand and without tight grasping, pinching, or twisting of wrist
  - Dispensers controlling delivery or not permitting continuous paper flow shall not be used



**FIGURE 11B-604.7  
DISPENSER OUTLET LOCATION**

*CBC 11B-309.4 and CBC 11B-604.7*

35. If any towel dispensers, sanitary napkin dispensers, waste receptacles, or other devices are provided, identify at least one accessible version of each device complying with the following:
- Located on accessible route
  - All operable parts maximum 40 inches above floor
  - Operable with maximum 5 pounds of force
  - Operable with one hand and without tight grasping, pinching, or twisting of wrist

*CBC 11B-309.4 and CBC 11B-603.5*

36. Where mirrors are provided, detail at least one per the following:
- If provided above accessible lavatories or countertops, installed with bottom edges of reflecting surfaces maximum 40 inches above finished floor
  - If provided at other locations, at least one mirror installed with bottom edge of reflecting surface maximum 35 inches above the floor

*CBC 11B-213.3.5 and CBC 11B-603.3*

37. Detail any baby changing tables per the following:
- Located on accessible route
  - Shall not be located within an accessible toilet compartment in a multi-accommodation toilet facility
  - Baby changing table in deployed position shall not obstruct the required width of an accessible route
- Exception:** Protrusion within CBC 11B-307.2 limits
- Dimension table top at minimum 28 inches and maximum 34 inches above finished floor
  - Dimension minimum 30-inch-by-48-inch clear floor space positioned for forward approach
  - Detail and dimension knee/toe clearance complying with the following:
    - Minimum 27-inches high
    - Minimum 30-inches wide
    - Minimum 19-inches deep
  - All operable parts within CBC 308 reach ranges
  - Operable with maximum 5 pounds of force
  - Operable with one hand and without tight grasping, pinching, or twisting of wrist

*CBC 11B-226.4, CBC 11B-308, CBC 11B-309, and CBC 11B-902*

38. Where coat hooks or shelves are provided, at least one of each type shall be located serving accessible toilets or toilet compartments per the following:
- Coat hooks maximum 48 inches above finished floor
  - Shelves minimum 40 inches and maximum 48 inches above finished floor

*CBC 11B-213.3, CBC 11B-308, CBC 11B-603.4, and CBC 11B-604.8.3*

39. If any medicine cabinets are provided, detail at least one medicine cabinet on accessible route with usable shelf maximum 44 inches above finished floor

*CBC 11B-603.4*

## SIGNAGE

40. Detail signage complying with the following at entrances to men's toilet facilities and coordinate with signage schedule:
- Exception:** Any single-accommodation restroom shall include unisex signage per item 42
- Equilateral triangle symbol with vertex pointing upward
  - Edges 12-inches long
  - 1/4-inch thick
  - Specify colors of triangle symbol and background such that symbol contrasts with background, either light on dark background or dark on light background

*CBC 11B-703.7.2.6.1*

41. Detail signage complying with the following at entrances to women's toilet facilities and coordinate with signage schedule:
- Exception:** Any single-accommodation restroom shall include unisex signage per item 42
- Circle symbol
  - 12-inch diameter
  - 1/4-inch thick
  - Specify colors of circle symbol and background such that symbol contrasts with background, either light on dark background or dark on light background

*CBC 11B-703.7.2.6.2*

42. Detail signage complying with the following at entrances to unisex toilet facilities and coordinate with signage schedule:
- Triangle symbol superimposed on and within 12-inch-diameter circle symbol
  - 1/4-inch thick
  - Specify colors of triangle and circle symbols such that triangle contrasts with circle, either light on dark background or dark on light background
  - Specify color of background such that circle symbol contrasts with background, either light on dark background or dark on light background

*CBC 11B-703.7.2.6.3*

43. Specify the following for any signs specified per items 40 through 42:
- Mounted with centerline minimum 58 inches and maximum 60 inches above finished floor
  - Where a door is provided, mounted within 1 inch of vertical centerline of door
  - Rounded or eased edges at minimum 1/16-inch radius or chamfered edges with minimum 1/8-inch radius
  - Vertices with minimum 1/8-inch radius and maximum 1/4-inch radius

*CBC 11B-703.7.2.6*

**ALTERNATIVE DIMENSIONS FOR CHILDREN'S FACILITIES**

44. In toilet facilities used solely by small children, plan dimensions and details may incorporate adjusted heights and clearances per CBC Table 11B-604.9.

**TABLE 11B-604.9  
SUGGESTED DIMENSIONS FOR CHILDREN'S USE**

<i>SUGGESTED DIMENSIONS FOR WATER CLOSETS SERVING CHILDREN AGES 3 THROUGH 12</i>			
	<b>Ages 3 and 4</b>	<b>Ages 5 through 8</b>	<b>Ages 9 through 12</b>
<b>Water Closet Centerline</b>	12 inches (305 mm)	12 to 15 inches (305 to 381 mm)	15 to 18 inches (381 to 457 mm)
<b>Toilet Seat Height</b>	11 to 12 inches (279 to 305 mm)	12 to 15 inches (305 to 381 mm)	15 to 17 inches (381 to 432 mm)
<b>Grab Bar Height</b>	18 to 20 inches (457 to 508 mm)	20 to 25 inches (508 to 635 mm)	25 to 27 inches (635 to 686 mm)
<b>Dispenser Height</b>	14 inches (356 mm)	14 to 17 inches (356 to 432 mm)	17 to 19 inches (432 to 483 mm)

*CBC 11B-604.9*