



**County of San Diego**  
**Planning & Development Services**  
**BUILDING DIVISION**

<b>ACCESSIBILITY CORRECTION LIST</b> Public Accommodations & Commercial Buildings	<b>10B</b>
<b>Shower, Bathing, and Locker Room Facilities</b>	

RECORD ID:	OWNER ON APPLICATION:
------------	-----------------------

**TURNING SPACE**

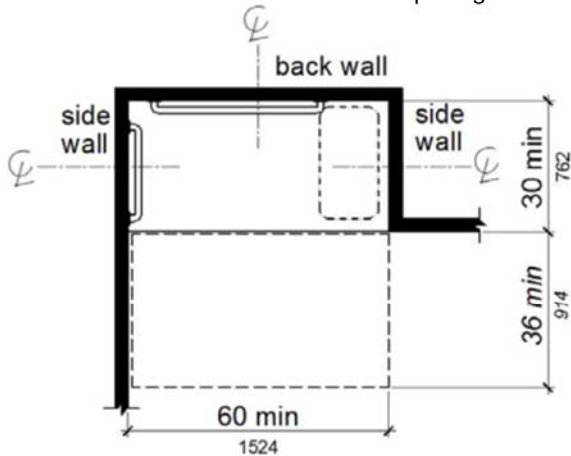
- Dimension clear wheelchair turning space within accessible shower, bathing, and/or locker room facility complying with the following:
  - Minimum 60-inch diameter or equivalent T-shaped space
  - Minimum 27-inch clearance above floor
  - No door encroachment more than 12 inches

**Exception:** Door to accessible toilet compartment

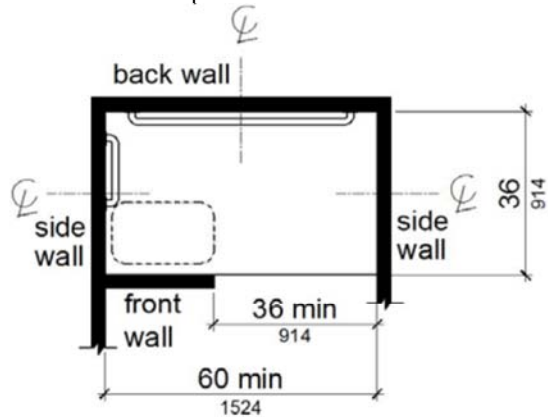
CBC 11B-603.2

**SHOWERS**

- Where showers are provided, identify at least one as accessible and on an accessible route. CBC 11B-206.2.4 and CBC 11B-213.3.6
- Provide complete dimensions and coordinated detailing for each accessible shower. CBC 11B-608.2
- Provide complete dimensions and coordinated detailing for accessible showers complying with one of the following configurations:
  - Standard roll-in shower per CBC Figure 11B-608.2.2:
    - o Minimum 30-inch-deep by 60-inch-long clear inside dimensions measured at center points of opposing sides
    - o Full opening width on long side
    - o Minimum 36-inch-deep by 60-inch-long clearance adjacent to open face of shower compartment
  - Alternate roll-in shower per CBC Figure 11B-608.2.3:
    - o 36-inch-deep (absolute) by minimum 60-inch-long clear inside dimensions measured at center points of opposing sides
    - o Minimum 36-inch-wide entrance opening at one end of long side of shower compartment



**FIGURE 11B-608.2.2**  
**STANDARD ROLL-IN TYPE**  
**SHOWER COMPARTMENT SIZE AND CLEARANCE**



**FIGURE 11B-608.2.3**  
**ALTERNATE ROLL-IN TYPE**  
**SHOWER COMPARTMENT SIZE AND CLEARANCE**

CBC 11B-608.2

**THIS DOCUMENT IS FOR PLAN REVIEW ONLY.**  
**CORRECTION LIST ITEMS AND FIGURES MAY NOT BE REPRODUCED OR COPIED ON PLANS.**  
**IF CONFLICTS EXIST BETWEEN CODE TEXT AND FIGURES, THE CODE TEXT SHALL GOVERN.**

5. Specify and detail shower compartment seat per the following:
- Folding type
  - Mounted minimum 17 inches and maximum 19 inches above bathroom finished floor
  - For standard roll-in shower, seat installed on side wall adjacent to controls and extending from back wall to point within 3 inches of shower compartment entry per CBC Figure 11B-610.3
  - For alternate roll-in shower, seat installed on front wall opposite back wall and extending from adjacent side wall to point within 3 inches of shower compartment entry per CBC Figure 11B-610.3
  - Seat dimensions and clearance from wall per one of the following:
    - o Rectangular seats per CBC Figure 11B-610.3.1
    - o L-shaped seats per CBC Figure 11B-610.3.2
  - Shower seats in folded position extending maximum 6 inches from mounting wall

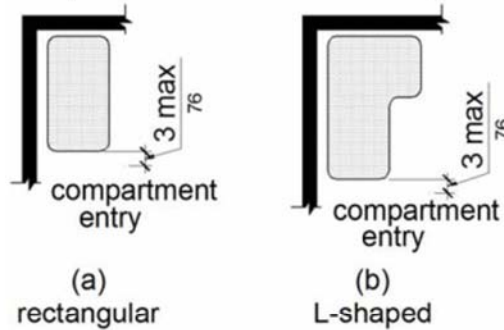


FIGURE 11B-610.3  
EXTENT OF SEAT

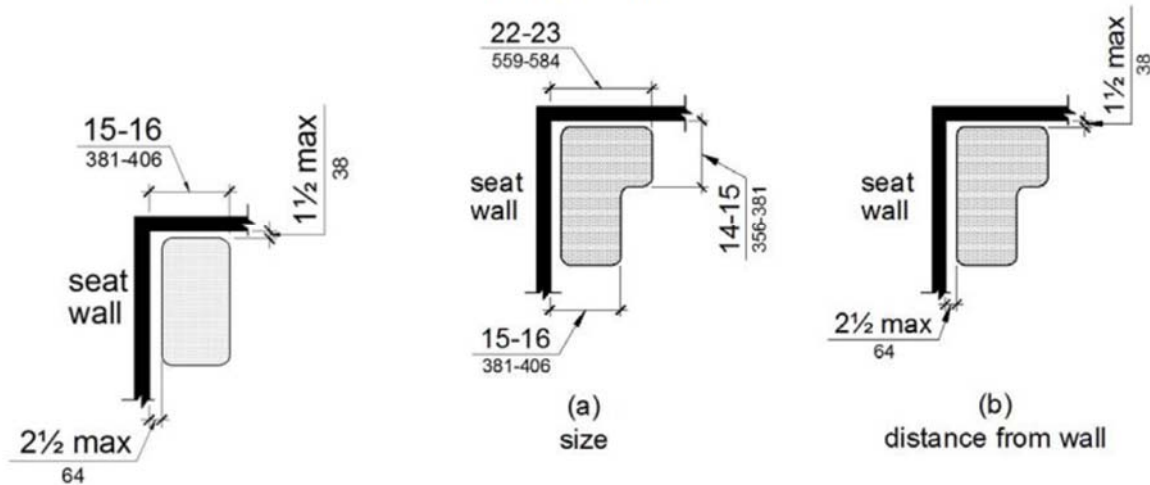


FIGURE 11B-610.3.1  
RECTANGULAR SHOWER SEAT

FIGURE 11B-610.3.2  
L-SHAPED SHOWER SEAT

CBC 11B-608.4 and CBC 11B-610.3

6. Detail shower grab bars complying with the following:
- Mounted minimum 33 inches and maximum 36 inches above shower floor
  - For standard roll-in shower, located per CBC Figure 11B-608.3.2(b)
  - For alternate roll-in shower, located per CBC Figure 11B-608.3.3
  - Not extending over shower seat

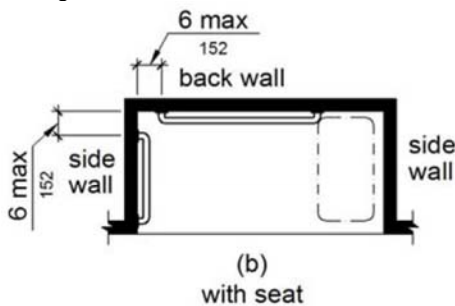


FIGURE 11B-608.3.2  
GRAB BARS FOR STANDARD ROLL-IN TYPE SHOWER

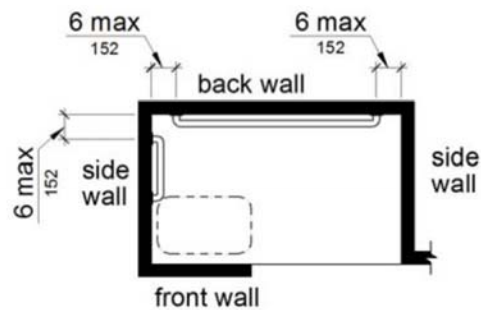
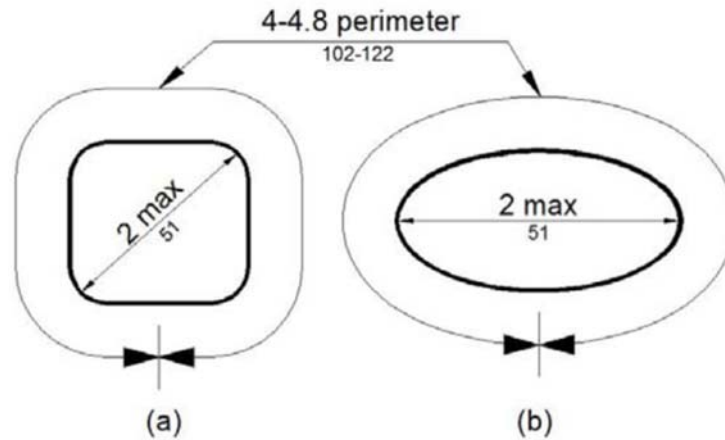


FIGURE 11B-608.3.3  
GRAB BARS FOR ALTERNATE ROLL-IN TYPE SHOWERS  
CBC 11B-608.3

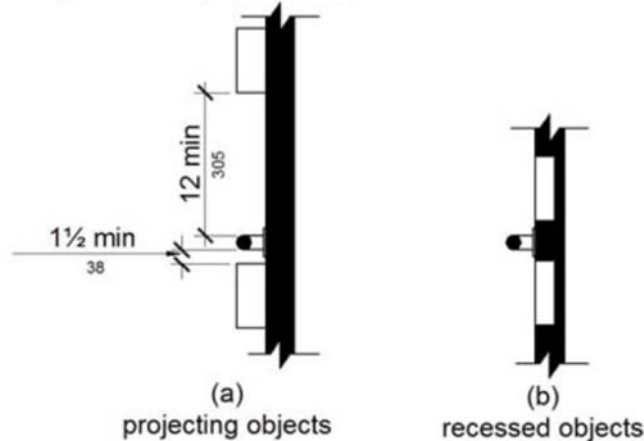
7. Detail grab bar gripping surfaces per the CBC Figure 11B-609.2.2:
- If cross section is circular, minimum 1-1/4-inch and maximum 2-inch outside diameter
  - If cross section is non-circular, minimum 4-inch and maximum 4.8-inch perimeter and maximum 2-inch cross-section dimension



**FIGURE 11B-609.2.2  
GRAB BAR NON-CIRCULAR CROSS SECTION**

CBC 11B-609.2

8. Detail grab bar clearance from adjacent elements per CBC Figure 11B-609.3:
- For grab bars mounted adjacent to a wall, 1-1/2-inch (absolute) space between the wall and grab bar
  - Minimum 1-1/2-inch space between grab bar and projecting objects below and at ends
  - Minimum 12-inch space between grab bar and projecting objects above



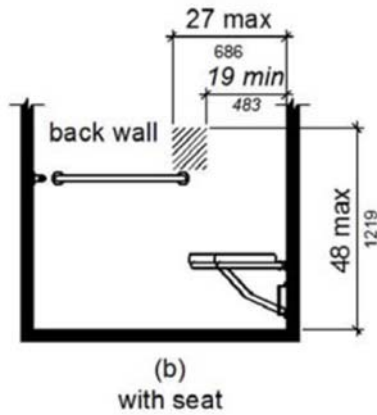
**FIGURE 11B-609.3  
SPACING OF GRAB BARS**

CBC 11B-609.3

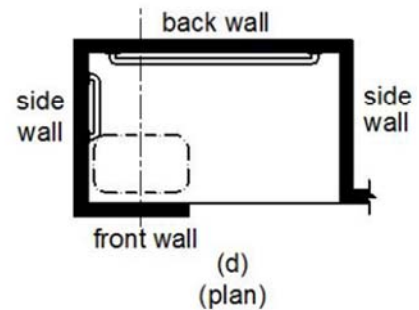
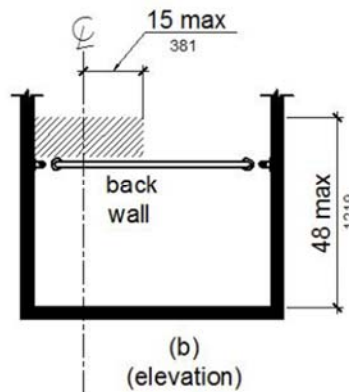
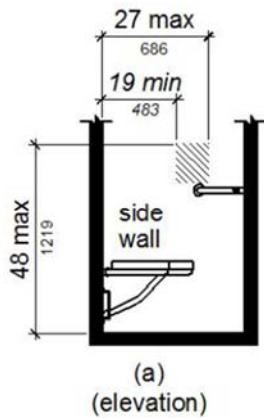
9. Specify structural adequacy of seats, grab bars, mounting hardware, and fasteners to accommodate 250-pound point load applied at any point on the grab bar, fastener, mounting device, or supporting structure.

CBC 11B-609.8

10. Specify operable parts of shower controls and faucets complying with the following:
- For standard roll-in shower, installed on back wall of shower compartment adjacent to seat wall per CBC Figure 11B-608.5.2
  - For alternate roll-in shower, installed on side wall of shower compartment adjacent to seat wall per CBC Figure 11B-608.5.3
  - Located minimum 19 inches and maximum 27 inches from seat wall
  - Located above grab bar but no higher than 48 inches above shower floor
  - Centerline at minimum 39 inches and maximum 41 inches above shower floor
  - Single-lever design
  - Operable with maximum 5 pounds of force
  - Operable with one hand and without tight grasping, pinching, or twisting of wrist



**FIGURE 11B-608.5.2  
STANDARD ROLL-IN TYPE  
SHOWER COMPARTMENT CONTROL LOCATION**



**FIGURE 11B-608.5.3  
ALTERNATE ROLL-IN TYPE  
SHOWER COMPARTMENT CONTROL LOCATION**

*CBC 11B-309.4 and CBC 11B-608.5*

11. Specify sprayer unit shall be provided per the following:

- Minimum 59-inch long hose
- Capable for use as fixed shower head and hand-held shower
- On/off control with non-positive shut-off
- Adjustable-height shower heads on vertical bar shall not obstruct use of bathtub grab bars
- Deliver water that is maximum 120°F

*CBC 11B-608.6*

12. Where soap dishes are provided, dimension location on control wall maximum 40 inches above shower floor and within reach limits from the shower seat.

*CBC 11B-608.10*

13. Specify maximum 1:48 slope in all directions of accessible shower floors.

*CBC 11B-608.9*

14. Detail maximum 1/2-inch-high thresholds with maximum 50% beveled slope at roll-in showers.

*CBC 11B-303 and CBC 11B-608.7*

15. Where drains are provided at accessible showers, specify maximum 1/4-inch grate openings flush with shower floor surface.

*CBC 11B-608.9*

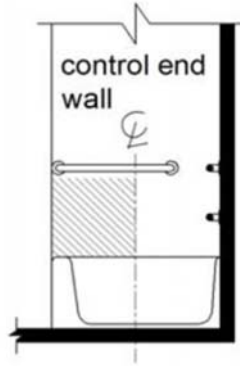
16. Specify any enclosures provided for shower compartments shall comply with the following:

- No obstruction of shower controls
- No obstruction of transfer from wheelchair to shower seat

*CBC 11B-608.8*

**BATHTUBS**

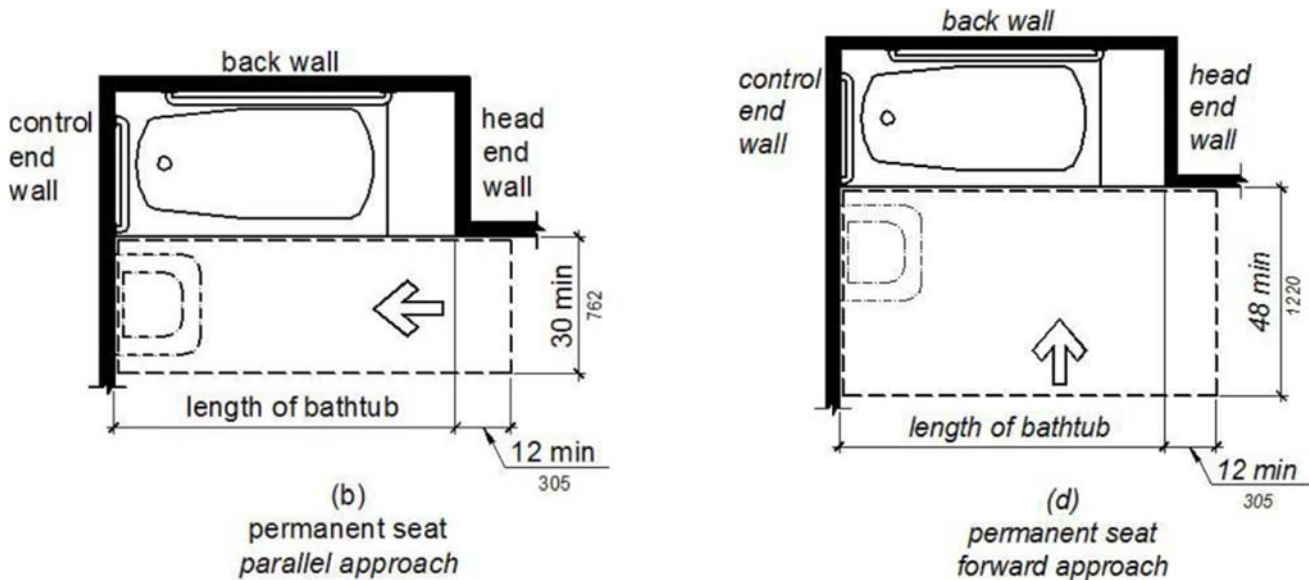
- 17. Where bathtubs are provided, identify at least one as accessible and on an accessible route. CBC 11B-206.2.4 and CBC 11B-213.3.6
- 18. Provide complete dimensions and coordinated detailing for each accessible bathtub. CBC 11B-607
- 19. Specify whether accessible bathtub will include a permanent seat at head of bathtub or a removable in-tub seat. CBC 11B-607.3
- 20. Detail location of bathtub controls per the following:
  - Located on an end wall of bathtub
  - Between bathtub rim and grab bar and between open side of bathtub and centerline of width of bathtub per CBC Figure 11B-607.5



**FIGURE 11B-607.5  
BATHTUB CONTROL LOCATION**

CBC 11B-607.5

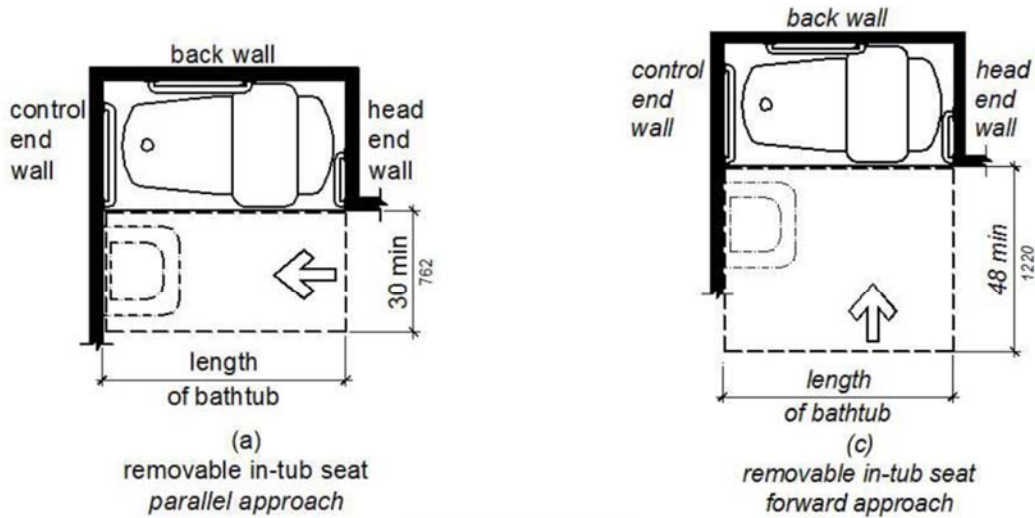
- 21. Dimension clearance at accessible bathtub with permanent seat at head of bathtub per the following:
  - Exception:** Accessible lavatory located at control end of tub may encroach into bathtub clear space
  - Extending full length of bathtub plus minimum 12 inches beyond wall at head end of bathtub
  - Minimum 30 inches wide per CBC Figure 11B-607.2(b) where allowing parallel approach
  - Minimum 48 inches wide per CBC Figure 11B-607.2(d) where requiring forward approach



**FIGURE 11B-607.2  
CLEARANCE FOR BATHTUBS**

CBC 11B-607.2

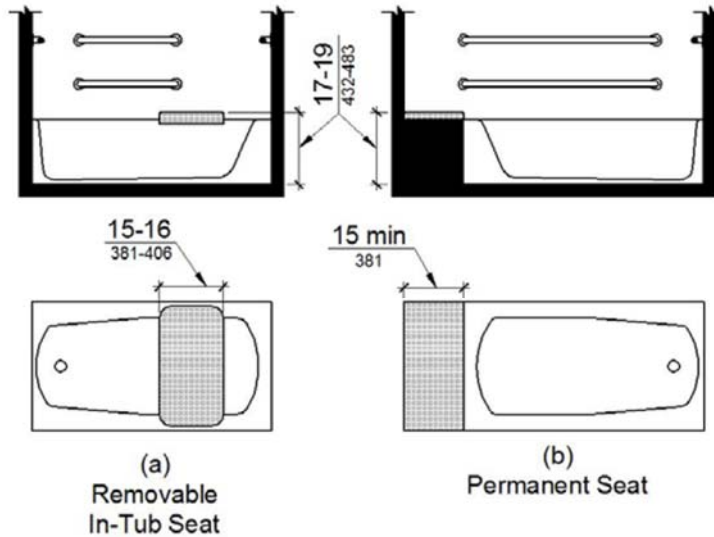
22. Dimension clearance at accessible bathtub with removable in-tub seat per the following:
- Exception:** Accessible lavatory located at control end of tub may encroach into bathtub clear space
- Extending full length of bathtub
  - Minimum 30 inches wide per CBC Figure 11B-607.2(a) where allowing parallel approach
  - Minimum 48 inches wide per CBC Figure 11B-607.2(c) where requiring forward approach



**FIGURE 11B-607.2  
CLEARANCE FOR BATHTUBS**

CBC 11B-607.2

23. Specify and detail bathtub seat per the following:
- Top of seat minimum 17 inches and maximum 19 inches above bathroom finished floor
  - For bathtub with permanent seat, minimum 15-inch depth per CBC Figure 11B-610.2(b) and extending from back wall to or beyond outer edge of bathtub
  - For bathtub with removable in-tub seat, minimum 15-inch and maximum 16-inch depth per CBC Figure 11B-610.2.(a) and capable of secure placement

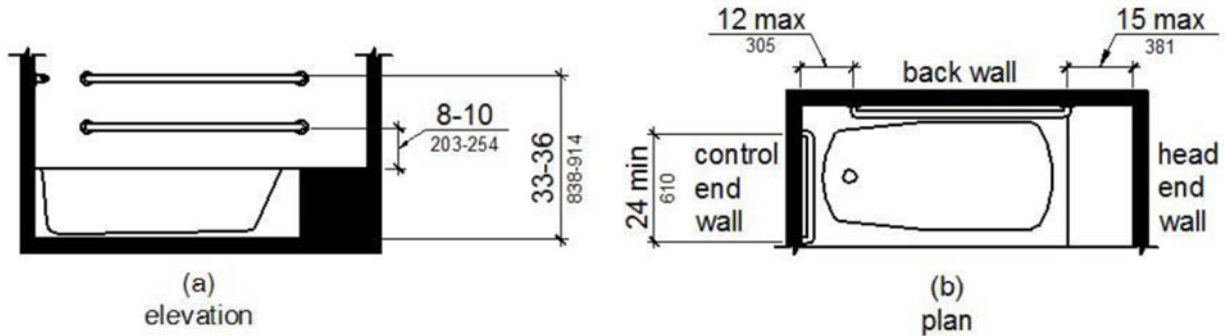


**FIGURE 11B-610.2  
BATHTUB SEATS**

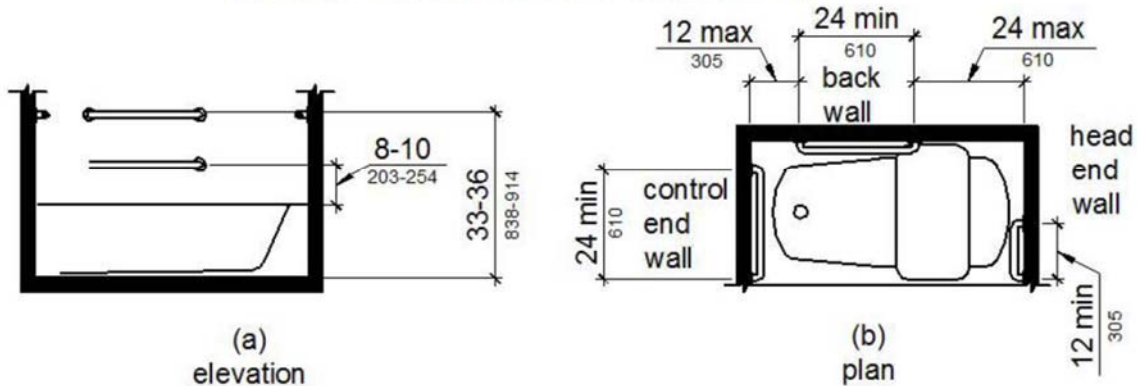
CBC 11B-610.2

24. Detail bathtub grab bars complying with the following:

- For bathtub with permanent seat, grab bar locations, lengths, and mounting heights per CBC Figure 11B-607.4.1
- For bathtub with removable in-tub seat, grab bar locations, lengths, and mounting heights per CBC Figure 11B-607.4.2



**FIGURE 11B-607.4.1  
GRAB BARS FOR BATHTUBS WITH PERMANENT SEATS**



**FIGURE 11B-607.4.2  
GRAB BARS FOR BATHTUBS WITH REMOVABLE IN-TUB SEATS**

*CBC 11B-607.4*

25. Detail the grab bar gripping surfaces per the CBC Figure 11B-609.2.2 (above):

- If cross section is circular, minimum 1-1/4-inch and maximum 2-inch outside diameter
- If cross section is non-circular, minimum 4-inch and maximum 4.8-inch perimeter and maximum 2-inch cross-section

*CBC 11B-609.2*

26. Detail grab bar clearance from adjacent elements per CBC Figure 11B-609.3 (above):

- For grab bars mounted adjacent to a wall, 1-1/2-inch (absolute) space between the wall and grab bar
- Minimum 1-1/2-inch space between grab bar and projecting objects below and at ends
- Minimum 12-inch space between grab bar and projecting objects above

*CBC 11B-609.3*

27. Specify structural adequacy of grab bars, mounting hardware, and fasteners to accommodate 250-pound point load applied at any point on the grab bar, fastener, mounting device, or supporting structure.

*CBC 11B-609.8*

28. Specify bathtub controls complying with the following:

- Operable with maximum 5 pounds of force
- Operable with one hand and without tight grasping, pinching, or twisting of the wrist

*CBC 11B-309.4 and CBC 11B-607.5*

29. Specify sprayer unit shall be provided per the following:

- Minimum 59-inch long hose
- Capable for use as fixed shower head and hand-held shower
- On/off control with non-positive shut-off
- Adjustable-height shower heads on vertical bar shall not obstruct use of bathtub grab bars
- Deliver water that is maximum 120°F

*CBC 11B-607.6*

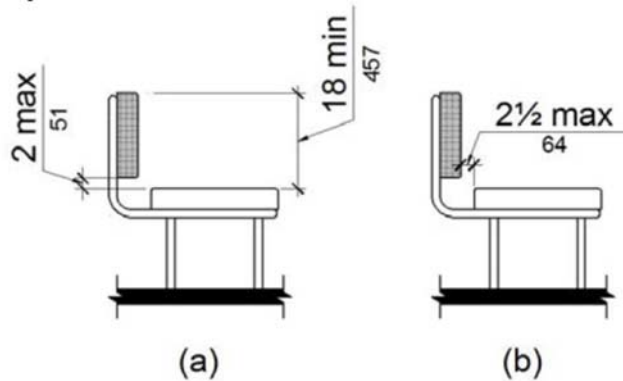
30. Specify any enclosures provided for bathtubs shall comply with the following:

- No tracks mounted on rim of open face of bathtub
- No obstruction of shower controls
- No obstruction of transfer from wheelchair to bathtub seat or into bathtub

*CBC 11B-607.7*

## LOCKER ROOMS AND DRESSING AREAS

31. Identify at least 5% of lockers provided – but not fewer than one of each type – as accessible and on an accessible route.  
*CBC 11B-225.2.1*
32. Dimension minimum 30-inch-wide by 48-inch-long clear space at each accessible locker.  
*CBC 11B-305 and CBC 11B-811.2*
33. Specify all portions of accessible lockers shall be within minimum 15-inch and maximum 48-inch reach range.  
*CBC 11B-308 and CBC 11B-811.3*
34. Specify locker-opening hardware complying with the following:
- Operable with maximum 5 pounds of force
  - Operable with one hand and without tight grasping, pinching, or twisting of wrist
- CBC 11B-309 and CBC 11B-811.4*
35. Detail at least one bench per the following:
- Minimum 48 inches long
  - Minimum 20 inches and maximum 24 inches deep
  - Minimum 48-inch-long back support per CBC Figure 11B-903.4
- Exception:** Bench affixed to wall along its long dimension
- Mounted minimum 17 inches and maximum 19 inches above finished floor
  - Minimum 30-inch-wide by 48-inch-long clear space provided at end of bench seat and parallel to short axis of bench
  - Structural adequacy to support 250-pound point load
  - Slip-resistant surface preventing water accumulation



**FIGURE 11B-903.4  
BENCH BACK SUPPORT**

*CBC 11B-803.4 and CBC 11B-903*

36. Where mirrors are provided, detail at least one per the following:
- Minimum 18-inches wide by 54-inches high
  - Bottom of mirror maximum 20 inches above floor
  - Mounted in position affording view to person sitting on bench as well as person standing
- CBC 11B-223.6 and CBC 11B-803.6*
37. Where coat hooks or shelves are provided, at least one of each type shall be located serving accessible lockers per the following:
- Coat hooks maximum 48 inches above finished floor and not located above bench or other seating
  - Shelves minimum 40 inches and maximum 48 inches above finished floor
- CBC 11B-222.3, CBC 11B-308, and CBC 11B-803.6*

## SIGNAGE

38. Detail signage complying with the following on doors to men's shower, bathing, and locker room facilities and coordinate with signage schedule:
- Equilateral triangle symbol with vertex pointing upward
  - Edges 12-inches long
  - 1/4-inch thick
  - Specify colors of triangle symbol and door such that symbol contrasts with door, either light on dark background or dark on light background
- CBC 11B-703.7.2.6.1*



- 39.** Detail signage complying with the following on doors to women's shower, bathing, and locker room facilities and coordinate with signage schedule:
- Circle symbol
  - 12-inch diameter
  - 1/4-inch thick
  - Specify colors of circle symbol and door such that symbol contrasts with door, either light on dark background or dark on light background

*CBC 11B-703.7.2.6.2*

- 40.** Detail signage complying with the following on doors to unisex shower, bathing, and locker room facilities and coordinate with signage schedule:
- Triangle symbol superimposed on and within 12-inch-diameter circle symbol
  - 1/4-inch thick
  - Specify colors of triangle and circle symbols such that triangle contrasts with circle, either light on dark background or dark on light background
  - Specify color of door such that circle symbol contrasts with door, either light on dark background or dark on light background

*CBC 11B-703.7.2.6.3*

- 41.** Specify the following for any signs specified per items 38 through 40:
- Mounted with centerline minimum 58 inches and maximum 60 inches above finished floor
  - Mounted within 1 inch of vertical centerline of door
  - Rounded or eased edges at minimum 1/16-inch radius or chamfered edges with minimum 1/8-inch radius
  - Vertices with minimum 1/8-inch radius and maximum 1/4-inch radius

*CBC 11B-703.7.2.6*