



County of San Diego  
 Planning & Development Services  
**BUILDING DIVISION**

**ACCESSIBILITY CORRECTION LIST**

Public Accommodations  
 & Commercial Buildings

**12B**

**Miscellaneous Elements**

RECORD ID:	OWNER ON APPLICATION:
------------	-----------------------

**OPERABLE WINDOWS**

1. Where glazed openings provided in accessible rooms or spaces for operation by occupants, identify at least one complying with the following:

**Exception:** Glazed openings in guest rooms required to provide communication features

**Exception:** Glazed openings in guest rooms required to comply with CBC 11B-206.5.3 but otherwise not required to provide mobility features

- Minimum 30-inch-by-48-inch clear floor space provided adjacent to window
- Operable parts of window within CBC 11B-308 reach ranges
- Window operable with maximum 5 pounds of force
- Window operable with one hand and without tight grasping, pinching, or twisting of wrist

*CBC 11B-229 and CBC 11B-309*

**SINKS**

2. Identify at least 5% of sinks provided in each accessible room or space – but not fewer than one – complying with items 3 through 7.

**Exception:** Mop, service, or scullery sinks

**Exception:** Scrub sinks per CPC 221

*CBC 11B-212.3*

3. Dimension accessible sinks with higher of rim or counter surface maximum 34 inches above finished.

*CBC 11B-606.3*

4. Dimension the following clear floor space in front of each accessible sink:

- Minimum 30-inch-wide by 48-inch-long clear floor space
- Allowing forward approach from accessible route

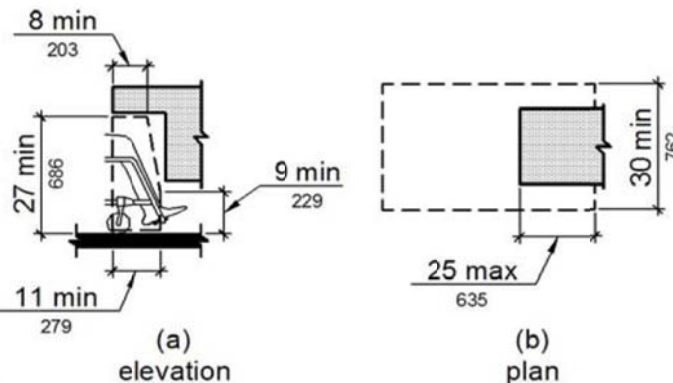
**Exception:** Parallel approach allowed to wet bars and kitchen sinks in spaces where cooktop or conventional range not provided

- No door encroachment

*CBC 11B-305 and CBC 11B-606.2*

5. Where forward approach required to accessible sink, provide knee clearance complying with the following per CBC Figure 11B-306.3:

- Minimum 27-inch vertical clearance to 8-inch depth
- Reducing to minimum 9-inch vertical clearance at minimum 11-inch depth at rate of 1 inch in depth for each 6 inches in height
- Minimum 30-inch width
- Hot water and drain pipes insulated or otherwise configured to protect against contact
- No sharp or abrasive surfaces



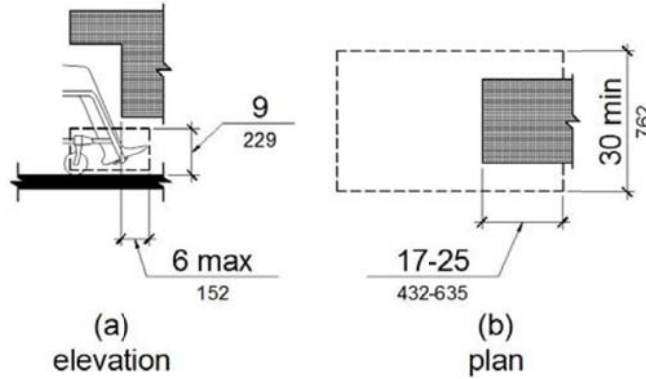
**CORRECTION LIST ITEM  
 IF CONFLICTS EXIST BETWEEN**

**OR COPIED ON PLANS.  
 TEXT SHALL GOVERN.**

**FIGURE 11B-306.3  
KNEE CLEARANCE**

*CBC 11B-306.3, CBC 11B-606.5, and CBC 11B-606.7*

6. Provide toe clearance beneath accessible sinks complying with the following per CBC Figure 11B-306.2:
- Minimum 9-inch height
  - Minimum 17-inch depth
  - Minimum 30-inch width
  - Space extending more than 6 inches beyond available knee clearance or more than 25 inches beneath sink shall not be considered toe clearance
  - Hot water and drain pipes insulated or otherwise configured to protect against contact
  - No sharp or abrasive surfaces



**FIGURE 11B-306.2  
TOE CLEARANCE**

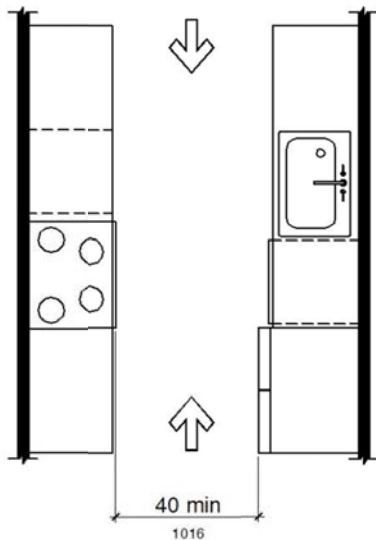
*CBC 11B-306.2 and CBC 11B-606.5*

7. Specify sink controls complying with the following:
- Operable parts of sink faucet within CBC 11B-308 reach ranges
  - Operable with maximum 5 pounds of force
  - Operable with one hand and without tight grasping, pinching, or twisting of wrist
  - Hand-operated metering faucets open for minimum 10 seconds

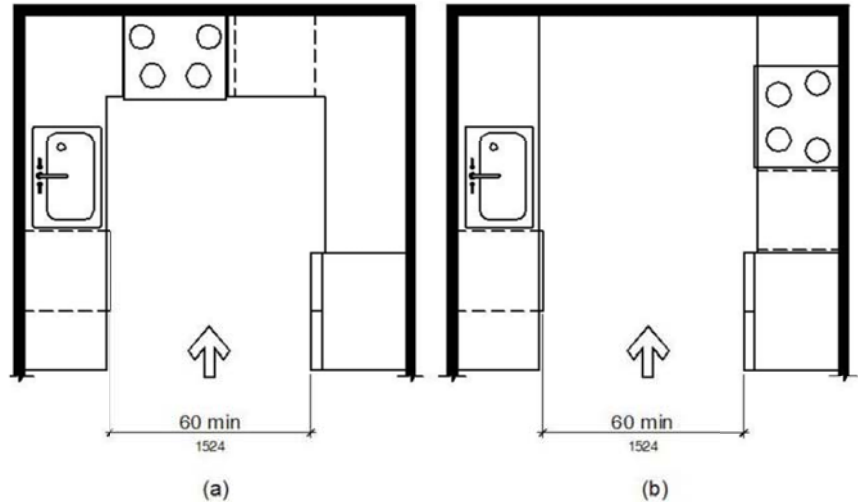
*CBC 11B-308, CBC 11B-309, and CBC 11B-606.4*

**KITCHENS AND KITCHENETTES**

8. Dimension clearances at any kitchens per the following:
- Exception:** Spaces that do not provide a cooktop or conventional range
  - Exception:** Commercial kitchens shall comply with clearance requirements of accessibility correction list 5B
  - In pass-through kitchens – i.e., minimum two entries – per CBC Figure 11B-804.2.1
  - U-shaped kitchens per CBC Figure 11B-804.2.2



**FIGURE 11B-804.2.1  
PASS THROUGH KITCHENS**



**FIGURE 11B-804.2.2  
U-SHAPED KITCHENS**

9. Specify any kitchen appliances provided shall comply with the following:
- Minimum 30-inch-by-48-inch clear floor space provided at each appliance
  - Operable parts of appliances within CBC 11B-308 reach ranges  
**Exception:** Bottom-hinged appliance doors in the open position
  - Appliances operable with maximum 5 pounds of force  
**Exception:** Appliance doors and door-latching devices
  - Appliances operable with one hand and without tight grasping, pinching, or twisting of wrist  
**Exception:** Appliance doors and door-latching devices

CBC 11B-309 and CBC 11B-804.6

10. Specify the following for individual kitchen appliances provided:
- Dishwashers:
    - o Required clear floor space positioned adjacent to dishwasher door
    - o Dishwasher door in open position does not obstruct required clear floor space for dishwasher or sink
  - Ranges or cooktops:
    - o Where forward approach provided, clear floor space shall include knee clearance per item 5 and toe clearance per item 6
    - o Where knee and toe clearance provided, underside of range of cooktop shall be insulated or otherwise configured to prevent burns, abrasions, or electrical shock
    - o Location of controls shall not require reaching across burners
  - Ovens:
    - o Side-hinged ovens shall have minimum 30-inch-wide work surface adjacent to latch side of oven door
    - o Bottom-hinged ovens shall have minimum 30-inch-wide work surface adjacent to one side of oven door
    - o Controls located on front panels of oven
  - Refrigerators and freezers:
    - o Combination refrigerators and freezers shall have at least 50% of freezer space maximum 54 inches above finished floor
    - o Clear floor space position for parallel approach to space dedicated to refrigerator/freezer with centerline of clear floor place offset maximum 24 inches from centerline of dedicated space

CBC 11B-804.6

## LOCKERS

11. Identify at least 5% of any lockers provided complying with the following:
- Minimum 30-inch-by-48-inch clear floor space provided adjacent to locker
  - Operable parts of locker within CBC 11B-308 reach ranges
  - Locker operable with maximum 5 pounds of force
  - Locker operable with one hand and without tight grasping, pinching, or twisting of wrist

CBC 11B-225.2.1 and CBC 11B-811

## AUTOMATIC TELLER MACHINES

12. Automatic teller machines (ATMs) provided shall comply with the following:
- Accessible ATMs shall provide opportunity for same degree of privacy of input and output available to all individuals
  - Where one ATM provided, ATM shall meet provisions of items 13 through 20
  - Where two ATMs provided: One ATM shall meet provisions of items 13 through 20 and one ATM shall meet provisions of items 14, 15, 16, 17, 19, and 20
  - Where three or more ATMs provided: At least 50% shall meet provisions of items 13 through 20, while the remainder shall meet provisions of items 14, 15, 16, 17, 19, and 20

CBC 11B-220

13. Dimension minimum 30-inch-by-48-inch clear floor space at each accessible ATM as required per item 12.  
**Exception:** Drive-up only ATMs

CBC 11B-707.2

14. Dimension operable parts within CBC 11B-308 reach ranges at each accessible ATM as required per item 12.  
**Exception:** Drive-up only ATMs

CBC 11B-707.3

15. Specify each accessible ATM as required per item 12 shall provide the opportunity for same degree of privacy of input and output available to all individuals.

CBC 11B-707.4

16. Specify speech-enabled functions per the following at each accessible ATM as required per item 12.
- Operating instructions and orientation, visible transaction prompts, user input verification, error messages, and all displayed information for full use accessible to and independently usable by individuals with vision impairments  
**Exception:** Audible tones acceptable instead of speech for visible output not displayed for security purposes, including, but not limited to, asterisks representing personal identification numbers  
**Exception:** Advertisements and other similar information need not be audible unless they convey information that may be used in conducted transaction
  - Speech delivered in recorded, digitized human, or synthesized manner through a mechanism readily available to all users, including, but not limited to, an industry standard connector or telephone handset  
**Exception:** Where speech synthesis cannot be supported, dynamic alphabetic output need not be audible
  - Speech capable of being repeated or interrupted with volume control provided for speech function  
**Exception:** Speech output for any single function may be automatically interrupted when a transaction is selected
  - Where receipts provided, speech output devices shall provide audible balance inquiry information, error messages, and all other information on printed receipt necessary to complete or verify transaction  
**Exception:** Machine location, date and time of transaction, customer account number, and machine identifier need not be audible  
**Exception:** Information on printed receipts duplicating information available on screen need not be presented in form of audible receipt  
**Exception:** Printed copies of bank statements and checks need not be audible

CBC 11B-707.5

17. Specify input devices shall comply with the following at each accessible ATM as required per item 12:
- At least one tactilely discernible input control shall be provided for each function
  - Where provided, key surfaces not on active areas of display screens shall be raised above surrounding surfaces
  - Where membrane keys are only method of input, each shall be tactilely discernible from surrounding surfaces and adjacent keys
  - Numeric keys shall be arranged in a 12-key ascending or descending telephone keypad layout per CBC Figure 11B-707.6.2 with the number five key tactilely discernible from the other keys
  - Function keys shall contrast visually from background surfaces, and characters and symbols on key surfaces shall contrast visually from key surfaces – visual contrast shall be either light-on-dark or dark-on-light  
**Exception:** Tactile symbols
  - Function key surfaces shall provide tactile symbols as follows:
    - o Enter or Proceed key: Raised circle
    - o Clear or Correct key: Raised left arrow
    - o Cancel key: Raised letter "X"
    - o Add Value key: Raised plus sign
    - o Decrease Value key: Raised minus sign

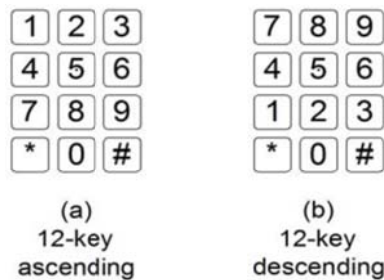


FIGURE 11B-707.6.2  
NUMERIC KEY LAYOUT

CBC 11B-707.6

18. Specify display screen visibility shall comply with the following at each accessible ATM as required per item 12:
- Exception:** Drive-up only ATMs
- Display screen visible from point located 40 inches above center of clear floor space in front of ATM
  - Where display screens mounted vertically or angled no more than 30 degrees from vertical, centerlines of screen and other display devices maximum 52 inches above floor or ground
  - Where display screens mounted at an angle between 30 degrees and 60 degrees from vertical, centerlines of screen and other display devices maximum 44 inches above floor or ground
  - Where display screens mounted at an angle between 60 degrees and 90 degrees from vertical, centerlines of screen and other display devices maximum 34 inches above floor or ground

CBC 11B-707.7.1

19. Specify display screen characters shall comply with the following at each accessible ATM as required per item 12:
- Sans serif font
  - Minimum 3/16-inch high based on uppercase letter "I"
  - Contrast with background, either light-on-dark or dark-on-light

CBC 11B-707.7.2

20. Specify Braille instructions for initiating speech mode shall be provided at each accessible ATM as required per item 12. CBC 11B-707.8

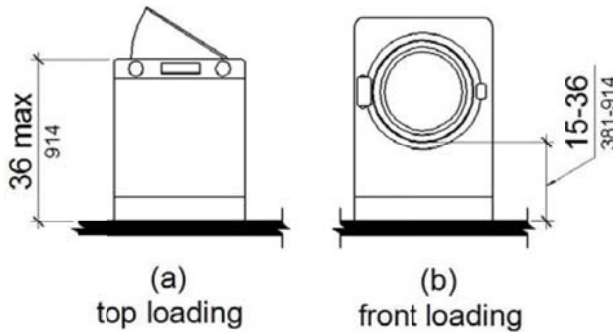
**DEPOSITORIES, VENDING MACHINES, CHANGE MACHINES, MAIL BOXES, AND FUEL DISPENSERS**

21. Identify at least 5% of any depositories, vending machines, change machines, mail boxes, and fuel dispensers complying with the following:  
**Exception:** Drive-up only depositories
- Minimum 30-inch-by-48-inch clear floor space provided adjacent to device
  - Operable parts of device within CBC 11B-308 reach ranges  
**Exception:** Operable parts of fuel dispenser may have high-side reach of maximum 54 inches
  - Operable with maximum 5 pounds of force  
**Exception:** Gas pump nozzles
  - Operable with one hand and without tight grasping, pinching, or twisting of wrist
- CBC 11B-228, CBC 11B-308, and CBC 11B-309*

**WASHING MACHINES AND CLOTHES DRYERS**

22. Where washing machines or clothes dryers are provided, identify accessible appliances per the following:
- Where three or fewer washing machines provided, at least one shall comply with items 23 through 25
  - Where more than three washing machines provide, at least two shall comply with items 23 through 25
  - Where three or fewer clothes dryers provided, at least one shall comply with items 23 through 25
  - Where more than three clothes dryers provide, at least two shall comply with items 23 through 25
- CBC 11B-214*
23. Dimension minimum 30-inch-by-48-inch clear floor space – positioned for parallel approach and centered on appliance – at each accessible washing machine and clothes dryer. *CBC 11B-611.2*
24. Specify the following for each accessible washing machine and clothes dryer:
- Operable parts of window within CBC 11B-308 reach ranges
  - Window operable with maximum 5 pounds of force
  - Window operable with one hand and without tight grasping, pinching, or twisting of wrist
- CBC 11B-611.3*

25. Dimension the following at each accessible washing machine and clothes dryer per CBC Figure 11B-611.4:
- Top-loading machines: Door to laundry compartment maximum 36 inches above finished floor
  - Front-loading machines: Opening to laundry compartment minimum 15 inches and maximum 36 inches above finished floor



**FIGURE 11B-611.4  
HEIGHT OF LAUNDRY COMPARTMENT OPENING**

*CBC 11B-308.3.2 and CBC 11B-611.4*

**PUBLIC TELEPHONES**

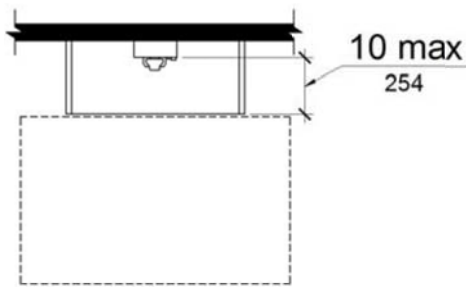
26. In facilities proposing public telephones, identify wheelchair accessible telephones per CBC Table 11B-217.2.  
**Exception:** Drive-up only public telephones

**TABLE 11B-217.2  
WHEELCHAIR ACCESSIBLE TELEPHONES**

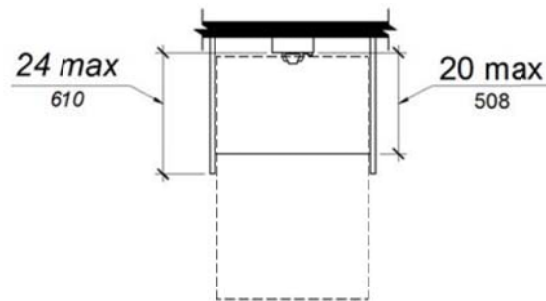
NUMBER OF TELEPHONES PROVIDED ON A FLOOR, LEVEL, OR EXTERIOR SITE	MINIMUM NUMBER OF REQUIRED WHEELCHAIR ACCESSIBLE TELEPHONES
1 or more single units	At least 50 percent of telephone units, but not less than 1 per floor, level, and exterior site
1 bank	At least 50 percent of telephone units per bank, but not less than 1 per floor, level, and exterior site
2 or more banks	At least 50 percent of telephone units per bank, but not less than 1 per bank At least 1 telephone per floor shall meet the requirements for a forward reach telephone.

CBC 11B-217.2

27. Dimension minimum 30-inch-by-48-inch clear floor space at each wheelchair accessible telephone per the following:
- Clear floor space not obstructed by bases, enclosures, or seats
  - Where parallel approach provided, maximum 10 inches from edge of telephone enclosure to face of telephone unit per CBC Figure 11B-704.2.1.1
  - Where forward approach provided at telephone within an enclosure, counter may extend maximum 20 inches beyond face of telephone and into required clear floor space and enclosure may extend maximum 24 inches beyond face of telephone per CBC Figure 11B-704.2.1.2
- Exception:** If minimum 36-inch-wide clear space provided, enclosure may extend more than 24 inches beyond face of telephone



**FIGURE 11B-704.2.1.1  
PARALLEL APPROACH TO TELEPHONE**



**FIGURE 11B-704.2.1.2  
FORWARD APPROACH TO TELEPHONE**

CBC 11B-704.2

28. Specify the following for each public telephone:
- Operable parts of telephone and any phone directories within CBC 11B-308 reach ranges
  - Telephone operable with one hand and without tight grasping, pinching, or twisting of wrist
  - Push-button controls provided where service available
  - Cord from telephone to handset minimum 29-inches long

CBC 11B-704.2

29. Specify all public telephones shall have volume controls per the following:
- Provides gain adjustable up to minimum 20dB
  - Incremental volume control with at least one intermediate step of minimum 12dB gain
  - Includes automatic reset
  - Equipped with receiver generating magnetic field in area of receiver cap
  - Hearing-aid compatible
  - Identified by symbol per CBC Figure 11B-703.7.2.3





FIGURE 11B-703.7.2.3  
VOLUME CONTROL TELEPHONE

CBC 11B-217.3, CBC 11B-703.7.2.3, and CBC 11B-704.3

30. Identify at least one permanently affixed teletypewriter (TTY – also known as “text telephone”) with symbol per CBC Figure 11B-703.7.2.2 at the following:

- A bank of telephones with four or more public pay telephones
- On any floor of a public building with at least one public pay telephone on that floor
- On any floor of a private building with at least four public pay telephones on that floor
- In the public-use area of any public building with at least one public pay telephone in a public-use area
- In any private building with four or more public pay telephones in that building

**Exception:** At least one TTY shall be provided in a stadium, arena, convention center, hotel with a convention center, or covered mall with at least one interior public pay telephone

- At exterior sites with at least four public pay telephones on that site
- At rest stops, emergency roadside stops, or service plazas with at least one public pay telephone
- In hospital emergency, recovery, and waiting rooms with at least one public pay telephone
- In secured areas of detention and correctional facilities with at least one pay telephone



FIGURE 11B-703.7.2.2  
INTERNATIONAL SYMBOL OF TTY

CBC 11B-216.9, CBC 11B-217.4, CBC 11B-703.7.2.2, and CBC 11B-704.4

31. Specify TTYs provided at public pay telephones shall comply with the following:

- Where an acoustic couple is used, telephone cord shall be sufficiently long to allow connection of TTY and telephone receiver
- When in use, touch surface of TTY keypad minimum 34 inches above finished floor

**Exception:** Telephones with seats provided

CBC 11B-704.4

32. Where a bank of telephones in the interior of a building includes three or more public pay telephones, identify at least one complying with the following to accommodate portable TTY:

**Exception:** Secured areas of detention and correctional facilities where shelves and outlets prohibited for security or safety purposes

**Exception:** Bank of telephones with a TTY

- Provided with shelf and electrical outlet within or adjacent to telephone enclosure
- Telephone handset capable of being placed flush on surface of shelf
- Shelf capable of accommodating TTY with minimum 6 inches vertical clearance above area where TTY is to be placed

CBC 11B-217.5 and CBC 704.5

## ELECTRIC VEHICLE CHARGING STATIONS

33. For facilities providing electric vehicle charging stations, identify on site accessibility plan accessible/ambulatory electric vehicle charging stations as required per CBC Table 11B-228.3.2.1:

**Exception:** All drive-up electric vehicle charging stations – i.e., similar to gas station island – shall comply with items 34 through 44

**Exception:** Electric vehicle charging stations assigned to an employee

**Exception:** Electric vehicle charging stations serving public or private fleet vehicles

**TABLE 11B-228.3.2.1  
ELECTRIC VEHICLE CHARGING STATIONS FOR PUBLIC USE AND COMMON USE**

TOTAL NUMBER OF EVCS AT A FACILITY <sup>1</sup>	MINIMUM NUMBER (by type) OF EVCS REQUIRED TO COMPLY WITH SECTION 11B-812 <sup>1</sup>		
	Van Accessible	Standard Accessible	Ambulatory
1 to 4	1	0	0
5 to 25	1	1	0
26 to 50	1	1	1
51 to 75	1	2	2
76 to 100	1	3	3
101 and over	1, plus 1 for each 300, or fraction thereof, over 100	3, plus 1 for each 60, or fraction thereof, over 100	3, plus 1 for each 50, or fraction thereof, over 100

1. Where an EV charger can simultaneously charge more than one vehicle, the number of EVCS provided shall be considered equivalent to the number of electric vehicles that can be simultaneously charged.

CBC 11B-228.3.2

34. Provide complete dimensions and detailing for each accessible and ambulatory electric vehicle charging station.

CBC 11B-812

35. Using ■■■■■■ or equivalent symbol, identify on site accessibility plan the accessible route(s) between accessible/ambulatory electric vehicle charging station access aisles and an accessible entrance of the building or facility served.

**Exception:** Accessible/ambulatory electric vehicle charging station spaces and access aisles may be located in different electric vehicle charging facilities if substantially equivalent or greater accessibility is provided in terms of distance from accessible entrance(s), charging fee, and user convenience

**Exception:** Accessible/ambulatory electric vehicle charging station spaces and access aisles not serving a particular building or facility shall be located on an accessible route to an accessible pedestrian entrance of the electric vehicle charging facility

CBC 11B-812.5.1

36. Identify on site accessibility plan any obstructions overhanging accessible/ambulatory electric vehicle charging station spaces, access aisles, or access routes serving them and dimension minimum 98-inch vertical clearance.

CBC 11B-812.4

37. The location of electric vehicle charging station spaces and access aisles shall not require persons using them to travel behind vehicle spaces or parking spaces other than their own.

**Exception:** Ambulatory electric vehicle charging spaces

**Exception:** Electric vehicle charging spaces installed in existing facilities shall comply to the maximum extent feasible

CBC 11B-812.5.4

38. Provide bumpers or curbs at all electric vehicle charging station spaces – accessible, ambulatory, or otherwise – where necessary to prevent vehicle encroachment into required width of adjacent accessible routes.

CBC 11B-812.5.3

39. Using ■■■■■■ or equivalent symbol, identify on site accessibility plan the accessible route – with no obstruction by cables or other elements – between electric vehicle charging station space and electric vehicle charger serving it.

CBC 11B-812.5.2 and CBC 11B-812.5.5

40. Specify on plans the following for surfaces of accessible/ambulatory electric vehicle charging station spaces and access aisles:

- Maximum 2.1% slope in all directions
- No changes in level
- Concrete or paved surface qualifying as firm, stable, and slip-resistant
- No detectable warnings within vehicle spaces or access aisles

CBC 11B-302 and CBC 11B-812.3

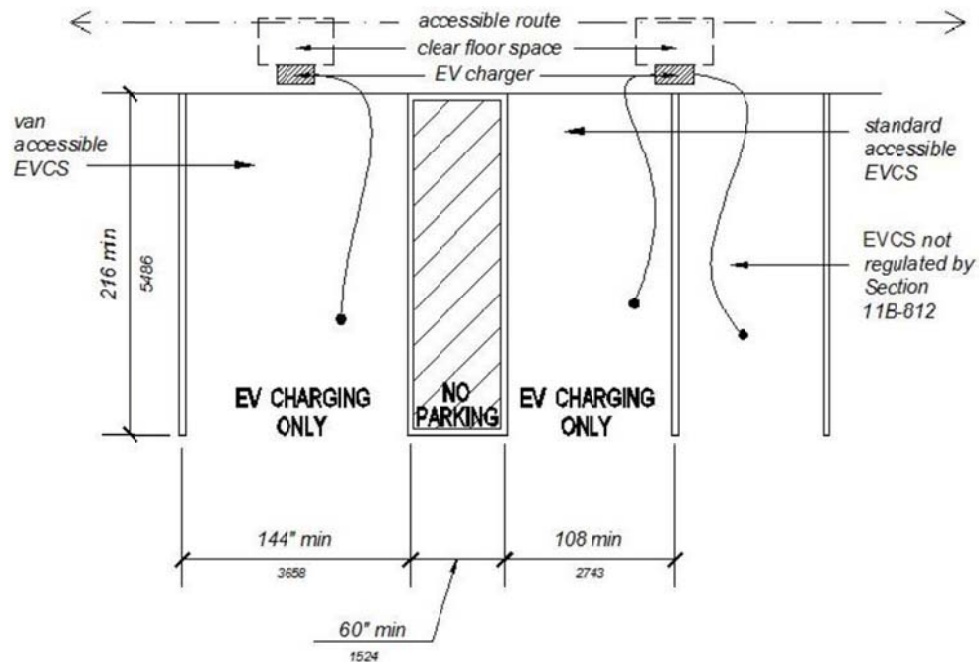
41. Dimension the following at each electric vehicle charging space required per item 33:

**Exception:** Where the long dimension of vehicle spaces is parallel to traffic flow in the adjacent vehicular way, vehicle spaces shall be minimum 240-inches long

- Van accessible:
  - o Minimum 144-inch-wide by minimum 216-inch-long vehicle space
  - o Minimum 60-inch-wide access aisle located on passenger side of vehicle space and extending full required length of vehicle space
- Standard accessible:



- Minimum 108-inch-wide by minimum 216-inch-long vehicle space
- Minimum 60-inch-wide access aisle located on either side of vehicle space and extending full required length of vehicle space
- Ambulatory:
  - Minimum 120-inch-wide by minimum 216-inch-long vehicle space
- Drive-up:
  - Minimum 204-inch-wide by minimum 240-inch-long vehicle space



**FIGURE 11B-812.9.  
SURFACE MARKING**

*CBC 11B-812.6 and CBC 11B-812.7*

**42. Detail surface identification complying with following at each electric vehicle charging space and access aisle required per item 33:**

- Vehicle space:
  - “EV CHARGING ONLY” in minimum 12-inch-high letters and located per the following:
    - Centerline of text maximum 6 inches from centerline of vehicle space
    - Lower corner/side of text aligned with end of vehicle space length
- Access aisle:
  - Painted borderline – contrasting with surface **but not blue** – around perimeter of access aisle
  - Hatched lines – contrasting with surface **but not blue** – maximum 36 inches on center within access aisle
  - “NO PARKING” painted on surface within access aisle in minimum 12-inch letters and located for visibility from adjacent vehicular way

*CBC 11B-812.7.2, CBC 11B-812.7.3, and CBC 11B-812.9*

**43. Where total of 5 or more electric vehicle charging spaces are provided, identify on site accessibility plan the following signage:**

- Where total of 5 to 25 electric vehicle charging spaces are provided, one van accessible electric vehicle charging space shall be identified by signage including International Symbol of Accessibility
  - Where total of 26 or more electric vehicle charging spaces are provided, all required van accessible and standard accessible electric vehicle charging spaces shall be identified by signage including International Symbol of Accessibility
  - Identification signage shall be minimum 70 square inches and reflectorized
  - Identification signage shall be visible from electric vehicle charging space it serves and permanently posted either immediately adjacent to vehicle space or within projected vehicle space width at head end of vehicle space
  - Identification signage for van accessible vehicle spaces shall include the designation “Van Accessible”
  - Minimum 80-inch vertical clearance above ground surface
- Exception:** Minimum 60-inch vertical clearance if posted on wall at interior end of vehicle space **or** not located within or adjacent to an accessible route

*CBC 11B-812.8*

**44. Specify on plans electric vehicle charger shall comply with the following:**

- Located adjacent to and within projected width of vehicle space served
- Exception:** Electric vehicle chargers serving more than one electric vehicle charging space shall be located adjacent to and within combined projected width of vehicle spaces served
- Exception:** For alterations at existing facilities where an accessible route or general circulation path is not provided adjacent to the head end of the vehicle space or access aisle, the electric vehicle charger may be located within the projected width of the access aisle maximum 36 inches from the head of the space

**Exception:** Where long dimension of vehicle space is parallel to vehicular way, electric vehicle charger shall be located adjacent to and maximum 48 inches from head end or foot end of vehicle space or access aisle served

- ❑ Minimum 30-inch-by-48-inch clear floor space provided adjacent to electric vehicle charger
- ❑ Operable parts and charging cord within CBC 11B-308 reach ranges
- ❑ Operable parts require maximum 5 pounds of force
- ❑ Operable parts require only one hand and no tight grasping, pinching, or twisting of wrist
- ❑ Any point-of-sale devices shall meet item 7 on list 14B<sup>5</sup>

*CBC 11B-309 and CBC 11B-812.10*